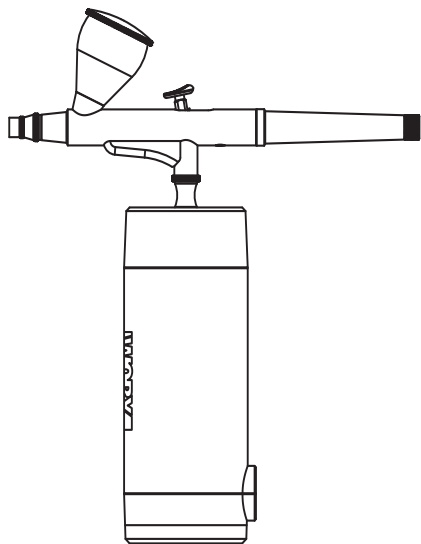


WORX



MAKERX

SAFETY AND OPERATING MANUAL ORIGINAL INSTRUCTIONS

20V Cordless Air Brush

**WX742
WX742.X**

GENERAL POWER TOOL SAFETY WARNINGS



WARNING: Read all safety warnings and all instructions. Failure to follow the warnings and instructions may result in electric shock, fire and/or serious injury.

Save all warnings and instructions for future reference.

The term "power tool" in the warnings refers to your mains-operated (corded) power tool or battery-operated (cordless) power tool.

1. WORK AREA SAFETY

- a) **Keep work area clean and well lit.** Cluttered or dark areas invite accidents.
- b) **Do not operate power tools in explosive atmospheres, such as in the presence of flammable liquids, gases or dust.** Power tools create sparks which may ignite the dust or fumes.
- c) **Keep children and bystanders away while operating a power tool.** Distractions can cause you to lose control.

2. ELECTRICAL SAFETY

- a) **Power tool plugs must match the outlet. Never modify the plug in any way. Do not use any adapter plugs with earthed (grounded) power tools.** Unmodified plugs and matching outlets will reduce risk of electric shock.
- b) **Avoid body contact with earthed or grounded surfaces, such as pipes, radiators, ranges and refrigerators.** There is an increased risk of electric shock if your body is earthed or grounded.
- c) **Do not expose power tools to rain or wet conditions.** Water entering a power tool will increase the risk of electric shock.
- d) **Do not abuse the cord. Never use the cord for carrying, pulling or unplugging the power tool. Keep cord away from heat, oil, sharp edges or moving parts.** Damaged or entangled cords increase the risk of electric shock.
- e) **When operating a power tool outdoors, use an extension cord suitable for outdoor use.** Use of a cord suitable for outdoor use reduces the risk of electric shock.
- f) **If operating a power tool in a damp location is unavoidable, use a residual current device (RCD) protected supply.** Use of an RCD reduces the risk of electric shock.

3. PERSONAL SAFETY

- a) **Stay alert, watch what you are doing and use common sense when operating a power tool. Do not use a power tool while you are tired or under the influence of drugs, alcohol or medication.** A moment of inattention while operating power tools may result in serious personal injury.
- b) **Use personal protective equipment. Always wear eye protection.** Protective equipment such as dust mask, non-skid safety shoes, hard hat, or hearing protection used for appropriate conditions will reduce personal injuries.
- c) **Prevent unintentional starting. Ensure the switch is in the off-position before connecting to power source and/or battery pack, picking up or carrying the tool.** Carrying power tools with your finger on the switch or energising power tools that have the switch on invites accidents.

- d) Remove any adjusting key or wrench before turning the power tool on.** *A wrench or a key left attached to a rotating part of the power tool may result in personal injury.*
- e) Do not overreach. Keep proper footing and balance at all times.** *This enables better control of the power tool in unexpected situations.*
- f) Dress properly. Do not wear loose clothing or jewellery. Keep your hair, clothing and gloves away from moving parts.** *Loose clothes, jewellery or long hair can be caught in moving parts.*
- g) If devices are provided for the connection of dust extraction and collection facilities, ensure these are connected and properly used.** *Use of dust collection can reduce dust-related hazards.*

4. POWER TOOL USE AND CARE

- a) Do not force the power tool. Use the correct power tool for your application.** *The correct power tool will do the job better and safer at the rate for which it was designed.*
- b) Do not use the power tool if the switch does not turn it on and off.** *Any power tool that cannot be controlled with the switch is dangerous and must be repaired.*
- c) Disconnect the plug from the power source and/or the battery pack from the power tool before making any adjustments, changing accessories, or storing power tools.** *Such preventive safety measures reduce the risk of starting the power tool accidentally.*
- d) Store idle power tools out of the reach of children and do not allow persons unfamiliar with the power tool or these instructions to operate the power tool.** *Power tools are dangerous in the hands of untrained users.*
- e) Maintain power tools. Check for misalignment or binding of moving parts, breakage of parts and any other condition that may affect the power tool's operation. If damaged, have the power tool repaired before use.** *Many accidents are caused by poorly maintained power tools.*
- f) Keep cutting tools sharp and clean.** *Properly maintained cutting tools with sharp cutting edges are less likely to bind and are easier to control.*
- g) Use the power tool, accessories and tool bits etc. in accordance with these instructions, taking into account the working conditions and the work to be performed.** *Use of the power tool for operations different from those intended could result in a hazardous situation.*

5. BATTERY TOOL USE AND CARE

- a) Recharge only with the charger specified by the manufacturer.** *A charger that is suitable for one type of battery pack may create a risk of fire when used with another battery pack.*
- b) Use power tools only with specifically designated battery packs.** *Use of any other battery packs may create a risk of injury and fire.*
- c) When battery pack is not in use, keep it away from other metal objects, like paper clips, coins, keys, nails, screws or other small metal objects, that can make a connection from one terminal to another.** *Shorting the battery terminals together may cause burns or a fire.*
- d) Under abusive conditions, liquid may be ejected from the battery; avoid contact. If**

contact accidentally occurs, flush with water. If liquid contacts eyes, additionally seek medical help. *Liquid ejected from the battery may cause irritation or burns.*

6. SERVICE

- a) **Have your power tool serviced by a qualified repair person using only identical replacement parts.** *This will ensure that the safety of the power tool is maintained.*

AIR BRUSH SAFETY WARNINGS

1. **Know your air brush.** *Read and understand the operator's manual and observe the warnings and instruction labels affixed to the tool.*
2. **Do not use commercial grade chemicals or chemicals for commercial or industrial purposes.** *Use only consumer grade water-based lawn and garden chemicals.*
3. **Do not pour hot or boiling liquids into the tank.** *These can weaken or damage the hose or tank.*
4. **Do not use caustic (alkali) self-heating or corrosive (acid) liquids in this air brush.** *These can corrode metal parts or weaken the tank and hose.*
5. **Know the contents of the chemical being sprayed. Read all Material Safety Data Sheets (MSDS) and container labels provided with the chemical.** *Follow the chemical manufacturer's safety instructions.*
6. **Do not attempt to modify this product or create accessories not recommended for use with this product.** *Any such alteration or modification is misuse and could result in a hazardous condition leading to possible serious personal injury.*
7. **Do not spray flammable material and any material where the hazard is not known.**
8. **Use a spray gun specially formulated if the air brush is used for food.**

EN






4

SAFETY WARNINGS FOR BATTERY PACK

- a) **Do not dismantle, open or shred cells or battery pack.**
- b) **Do not short-circuit a battery pack. Do not store battery packs haphazardly in a box or drawer where they may short-circuit each other or be short-circuited by conductive materials.** *When battery pack is not in use, keep it away from other metal objects, like paper clips, coins, keys, nails, screws or other small metal objects, that can make a connection from one terminal to another. Shorting the battery terminals together may cause burns or a fire.*
- c) **Do not expose battery pack to heat or fire.** *Avoid storage in direct sunlight.*
- d) **Do not subject battery pack to mechanical shock.**
- e) **In the event of battery leaking, do not allow the liquid to come into contact with the skin or eyes.** *If contact has been made, wash the affected area with copious amounts of water and seek medical advice.*
- f) **Seek medical advice immediately if a cell or battery pack has been swallowed.**
- g) **Keep battery pack clean and dry.**

- h) Wipe the battery pack terminals with a clean dry cloth if they become dirty.**
- i) Battery pack needs to be charged before use.** Always refer to this instruction and use the correct charging procedure.
- j) Do not maintain battery pack on charge when not in use.**
- k) After extended periods of storage, it may be necessary to charge and discharge the battery pack several times to obtain maximum performance.**
- l) Battery pack gives its best performance when it is operated at normal room temperature (20°C ± 5°C).**
- m) When disposing of battery packs, keep battery packs of different electrochemical systems separate from each other.**
- n) Recharge only with the charger specified by Worx.** Do not use any charger other than that specifically provided for use with the equipment. A charger that is suitable for one type of battery pack may create a risk of fire when used with another battery pack.
- o) Do not use any battery pack which is not designed for use with the equipment.**
- p) Keep battery pack out of the reach of children.**
- q) Retain the original product literature for future reference.**
- r) Remove the battery from the equipment when not in use.**
- s) Dispose of properly.**
- t) Do not mix cells of different manufacture, capacity, size or type within a device.**
- u) Do not remove battery pack from its original packaging until required for use.**
- v) Observe the plus (+) and minus (-) marks on the battery and ensure correct use.**

SYMBOLS

	To reduce the risk of injury, user must read instruction manual
	Wear ear protection
	Wear eye protection
	Wear dust mask
	Warning



Do not burn



Batteries may enter water cycle if disposed improperly, which can be hazardous for ecosystem. Do not dispose of waste batteries as unsorted municipal waste.



Li-Ion

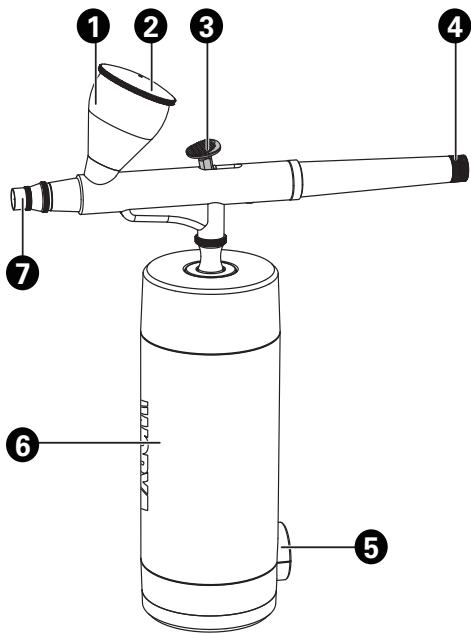


Li-Ion battery. This product has been marked with a symbol relating to 'separate collection' for all battery packs and battery pack. It will then be recycled or dismantled in order to reduce the impact on the environment. Battery packs can be hazardous for the environment and for human health since they contain hazardous substances.



Waste electrical products must not be disposed of with household waste. Please recycle where facilities exist. Check with your local authorities or retailer for recycling advice.





COMPONENT LIST

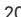
- 1. FEEDING CUP**
- 2. FEEDING CUP COVER**
- 3. DUAL FUNCTION TRIGGER**
- 4. TAIL ADJUST SCREW**
- 5. POWER CORD CONNECTION**
- 6. COMPRESSOR**
- 7. NOZZLE**

Not all the accessories illustrated or described are included in standard delivery.

TECHNICAL DATA






Type WX742 WX742.X (742 - designation of machinery, representative of air brush)

WX742 WX742.X *

Rated voltage	20 V  Max. **
Pressure value	14-18 PSI (0.10 -0.12 MPa)
Nozzle size	0.4 mm
Machine weight (bare tool)	280 g

* X=1-999, A-Z, M1-M9 there are only used for different customers, there are no safe relevant changes between these models.

** Voltage measured without workload. Initial battery voltage reaches maximum of 20 volts. Nominal voltage is 18 volts.

Category	Model	Capacity
20V Hub/HubX	WA7160	Input: 20 V  10 A Max. Output: 20 V  10 A Max.
	WA7161	Input: 20 V  10 A Max. Output: 20 V  10 A Max. or Output: 5 V  2 A (USB port)

We recommend that you purchase your accessories from the same store that sold you the tool. Refer to the accessory packaging for further details. Store personnel can assist you and offer advice.

MakerX series tools and 20V Hub/HubX are specially designed to work together, so do not attempt to use any other devices.

NOISE INFORMATION

A weighted sound pressure	$L_{pA} = 71.9 \text{ dB(A)}$
A weighted sound power	$L_{WA} = 82.9 \text{ dB(A)}$
K_{pA} & K_{WA}	3.0 dB(A)

Wear ear protection.




VIBRATION INFORMATION

Vibration total values (triax vector sum) determined according to EN 60745:

Vibration emission value $a_n = 1.804 \text{ m/s}^2$ Uncertainty $K = 1.5 \text{ m/s}^2$

The declared vibration total value may be used for comparing one tool with another, and may also be used in a preliminary assessment of exposure.

 **WARNING:** The vibration emission value during actual use of the power tool can differ from the declared value depending on the ways in which the tool is used dependant on the following examples and other variations on how the tool is used:

How the tool is used and the materials being cut or drilled.


The tool being in good condition and well maintained.

The use the correct accessory for the tool and ensuring it is sharp and in good condition.

The tightness of the grip on the handles and if any anti vibration accessories are used.

And the tool is being used as intended by its design and these instructions.

This tool may cause hand-arm vibration syndrome if its use is not adequately managed.

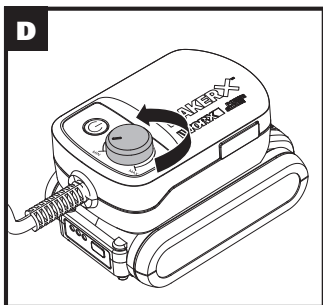
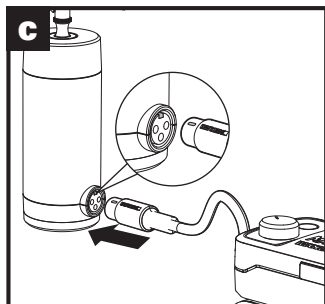
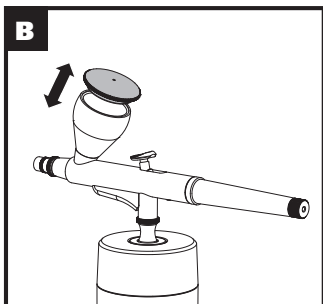
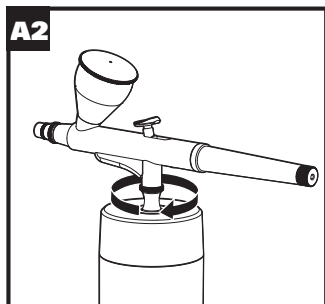
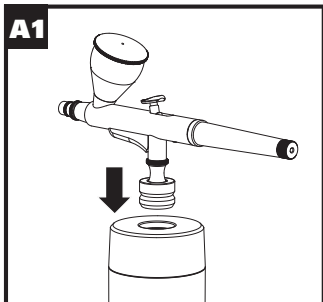
 **WARNING:** To be accurate, an estimation of exposure level in the actual conditions of use should also take account of all parts of the operating cycle such as the times when the tool is switched off and when it is running idle but not actually doing the job. This may significantly reduce the exposure level over the total working period.

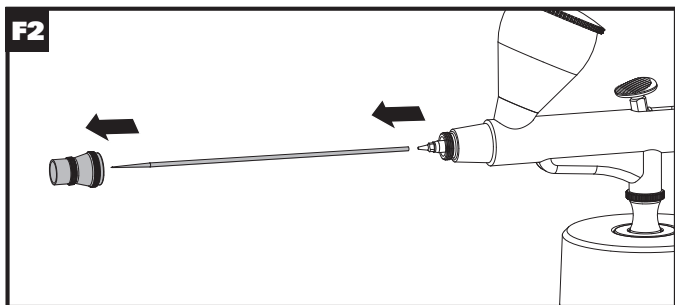
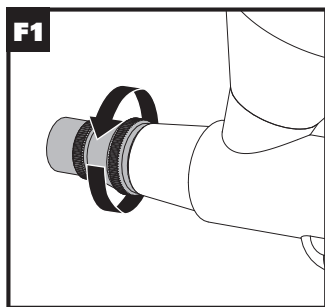
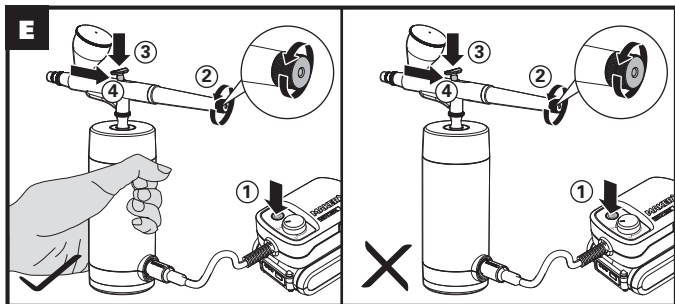
Helping to minimize your vibration exposure risk.

Maintain this tool in accordance with these instructions and keep well lubricated (where appropriate).

If the tool is to be used regularly then invest in anti vibration accessories.

Plan your work schedule to spread any high vibration tool use across a number of days.





OPERATING INSTRUCTIONS



NOTE: Before using the tool, read the instruction book carefully.


Intended use

This tool is intended for painting.

ASSEMBLY

1. Plug the spray gun into the compressor. Make sure the spray gun is fully inserted. (See Fig. A1) After that, turn clockwise to adjust the spray gun to your desired position (See Fig. A2) To disassemble, draw the spray gun out from the compressor.

2. Open the feeding cup cover and fill with paint. Then cover. (See Fig. B)

 **WARNING: Use paint specifically formulated for use with Air Brushes. DO NOT use solvents that contain or emit harmful substances. DO NOT use paints of high concentration, or the nozzle may be clogged. Recommended to use water-soluble painting. Use colors which can be used with pressure value 14-18 PSI (0.10 -0.12 MPa)!**

3. Connect the air brush and the hub. (See Fig. C)

 **WARNING: Before operation, make sure the speed control button on the hub is at the "Min" position. (See Fig. D)**

EN

12

OPERATION

1. Confirm the speed control button is set to "Min". Grasp the tool by the grip. Press the on/off switch on the hub. The dual function trigger regulates both paint volume and air flow. Depress the trigger to start the air flow. Pull the trigger back to regulate paint volume. Set maximum paint volume using the tail adjust screw. (See Fig. E)

NOTE: The speed is fixed, and can not be adjusted by the speed control button on the hub.

2. Press the on/off switch on the hub to turn off after use.

WORKING HINTS

Before use, check the compressor and the spray gun to ensure they can work properly. Please clean the feeding cup and spray gun instantly after use.

The nozzle may be clogged after long-term use. Please use the brush to clean.

Please carry out repairs or renovations under the guidance of after-sales staff.

MAINTENANCE

Remove the battery before carrying out any adjustment, servicing or maintenance.

There are no user serviceable parts in your power tool. Never use water or chemical

cleaners to clean your power tool. Wipe clean with a dry cloth. Always store your power tool in a dry place. Keep the motor ventilation slots clean. Keep all working controls free of dust. Occasionally you may see sparks through the ventilation slots. This is normal and will not damage your power tool. Store the accessories in a dry place.

Feeding cup maintenance

After use, pour the remaining painting in the feeding cup back into the original painting bottle. Wipe clean the feeding cup with napkin. If dry painting left, wipe with thinner or using a brush. If painting remains at the bottom, clean with a cotton bud. Finally, pour in some thinner or water (depending upon the painting used) and turn on the air brush to spray a few times to confirm that it is clean.

Spray gun maintenance

(1) Cleansing after short-term use:

Press the on/off switch on the hub to turn on. Pour some detergent or banana oil into the feeding cup and block the nozzle with napkin. Wait for several minutes until the liquid in the feeding cup is colorless.

(2) Cleansing after long-term use:

Painting may residue after long-term use. It is recommended to disassemble and clean the air brush for better performance.

1. Follow the step in Cleansing after short-term use.
2. Pour into the feeding cup with detergent or banana water (detergent is preferred as banana water is corrosive). Turn on the air brush to spray a few times until the painting sprayed is colorless.
3. Disassemble the spray gun by loosening the nut. (See Fig. F1, F2) Carefully wipe clean the needle, feeding cup and the nozzle. Finally, find a soft box to place the needle. Do not assembly the spray gun immediately.

Next time if the air brush does not work after assembly, the airbrush must be completely disassembled for cleaning.

4. Ultrasonic cleaning is also workable. Just put the spray gun in the liquid and turn on the ultrasonic instrument.

ENVIRONMENTAL PROTECTION



Waste electrical products must not be disposed of with household waste. Please recycle where facilities exist. Check with your local authorities or retailer for recycling advice.

DECLARATION OF CONFORMITY

We,
Positec Germany GmbH
Postfach 32 02 16, 50796 Cologne, Germany

On behalf of Positec declare that the product

Description **Battery operated air brush**

Type **WX742 WX742.X (742 - designation of machinery, representative of air brush)**

Function **spraying nonflammable material**

Complies with the following Directives:

2006/42/EC, 2011/65/EU&(EU)2015/863, 2014/30/EU

Standards conform to

EN 55014-1, EN 55014-2, EN 60745-1, EN 50580

The person authorized to compile the technical file,

Name Marcel Filz

Address Positec Germany GmbH

Postfach 32 02 16, 50796 Cologne, Germany

EN

14



2020/11/24

Allen Ding

Deputy Chief Engineer, Testing & Certification

Positec Technology (China) Co., Ltd

18, Dongwang Road, Suzhou Industrial

Park, Jiangsu 215123, P. R. China

DECLARATION OF CONFORMITY

We,
Positec (UK & Ireland) Ltd.,
PO Box 6242, Newbury, RG14 9LT, UK

On behalf of Positec declare that the product
Description **Battery operated air brush**
Type **WX742 WX742.X (742 - designation of machinery, representative of air brush)**
Function **spraying nonflammable material**

Complies with the following Directives:
Supply of Machinery (Safety) Regulations 2008
Electromagnetic Compatibility Regulations 2016
The Restriction of the Use of Certain Hazardous Substances in Electrical and Electronic Equipment Regulations

Standards conform to
BS EN 55014-1, BS EN 55014-2, BS EN 60745-1, BS EN 50580

The person authorized to compile the technical file,

Name Jim Kirkwood
Address Positec (UK & Ireland) Ltd.,
PO Box 6242, Newbury, RG14 9LT, UK



2020/11/24
Allen Ding
Deputy Chief Engineer, Testing & Certification
Positec Technology (China) Co., Ltd
18, Dongwang Road, Suzhou Industrial
Park, Jiangsu 215123, P. R. China

EN

15



you've got the power

After-sales Service and Application

At www.worx.com you can order spare parts or arrange the collection of a product in need of servicing or repair.

Tel. Service: 0345 202 9679

E-Mail: customerservices@worxtools.com

www.worx.com

Copyright © 2022, Positec. All Rights Reserved..

AR01588302