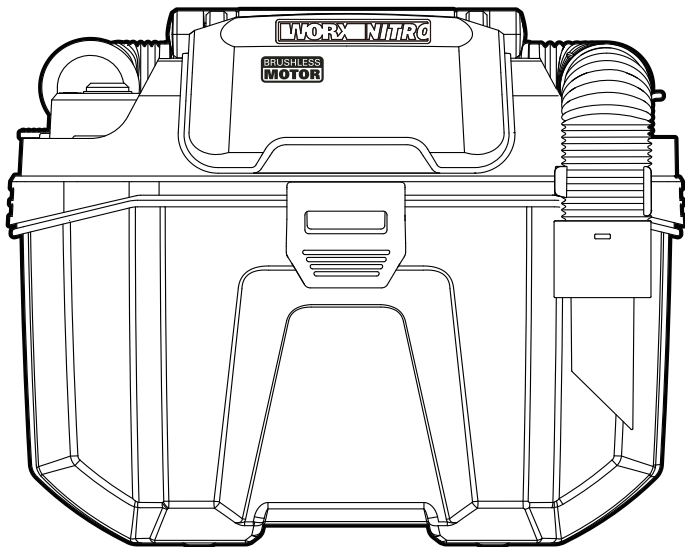


# **WORX NITRO**



**BRUSHLESS**<sup>™</sup>  
**MOTOR**

## **SAFETY AND OPERATING MANUAL**

### **ORIGINAL INSTRUCTIONS**

**20V Cordless Wet/Dry  
Vacuum Cleaner**

**WX031 WX031.X**



## TABLE OF CONTENT

1. SAFETY INSTRUCTIONS
2. COMPONENT LIST
3. TECHNICAL DATA
4. INTENDED USE
5. OPERATING INSTRUCTIONS
6. MAINTENANCE
7. STORAGE
8. TROUBLESHOOTING
9. ENVIRONMENTAL PROTECTION
10. DECLARATION OF CONFORMITY

## 1. SAFETY INSTRUCTIONS

### PRODUCT SAFETY GENERAL POWER TOOL SAFETY WARNINGS

**WARNING: Read all safety warnings and all instructions.** Failure to follow the warnings and instructions may result in electric shock, fire and/or serious injury.

### Save all warnings and instructions for future reference.

This appliance can be used by children aged from 8 years and above and persons with reduced physical, sensory or mental capabilities or lack of experience and knowledge if they have been given supervision or instruction concerning use of the appliance in a safe way

and understand the hazards involved. Children shall not play with the appliance. Cleaning and user maintenance shall not be made by children without supervision.

-The appliance is only to be used with the power supply unit provided with the appliance.

The battery must be removed from the socket-outlet before cleaning or maintaining the appliance.

Only use the detachable supply unit (model:WA3014) provided with this appliance.

Rechargeable batteries are to be removed from the appliance before being charged.

Observe the plus (+) and minus (–) marks on the battery and ensure correct use.

### SAFETY WARNINGS FOR BATTERY PACK

- a) Do not dismantle, open or shred cells or battery pack.**
- b) Do not short-circuit a battery pack. Do not store battery packs haphazardly in a box or drawer where they may short-circuit each other**

**or be short-circuited by conductive materials.**

When battery pack is not in use, keep it away from other metal objects, like paper clips, coins, keys, nails, screws or other small metal objects, that can make a connection from one terminal to another. Shorting the battery terminals together may cause burns or a fire.








- c) Do not expose battery pack to heat or fire. Avoid storage in direct sunlight.**
- d) Do not subject battery pack to mechanical shock.**
- e) In the event of battery leaking, do not allow the liquid to come into contact with the skin or eyes. If contact has been made, wash the affected area with copious amounts of water and seek medical advice.**
- f) Keep battery pack clean and dry.**
- g) Wipe the battery pack terminals with a clean dry cloth if they become dirty.**
- h) Battery pack needs to be charged before use.**

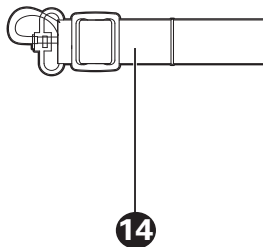
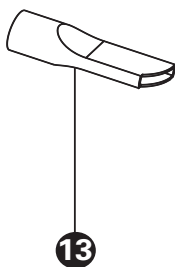
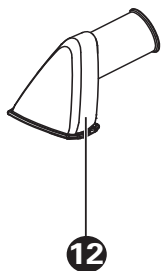
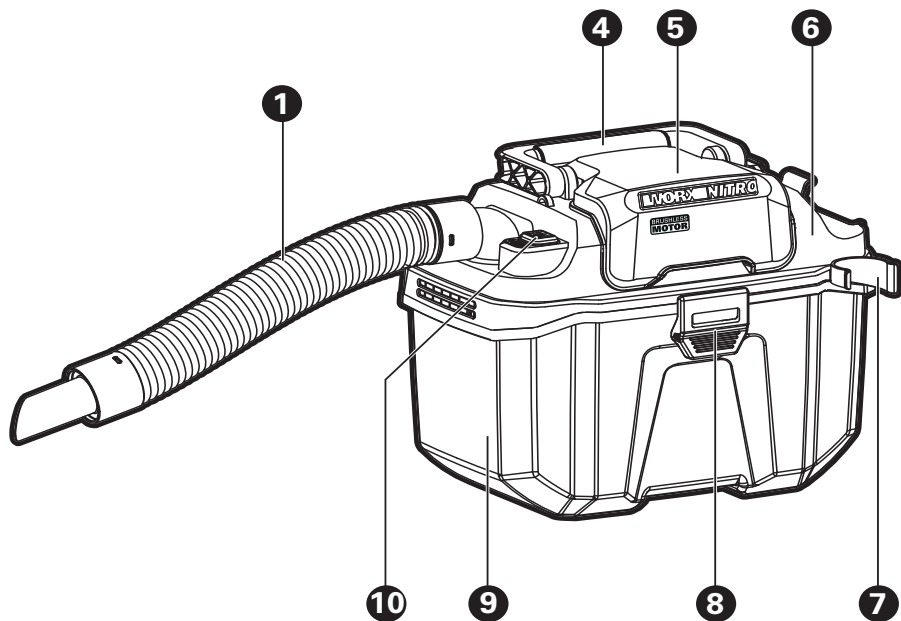
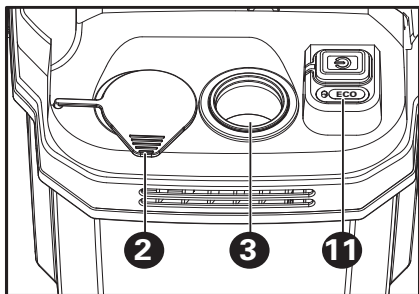
**Always refer to this instruction and use the correct charging procedure.**

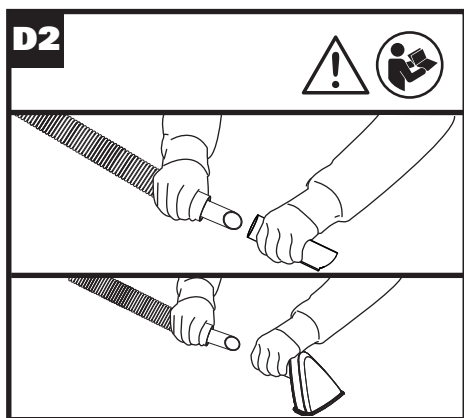
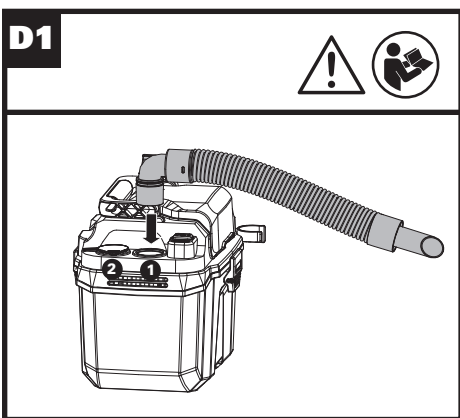
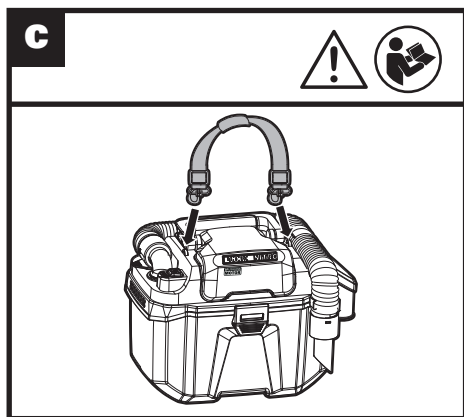
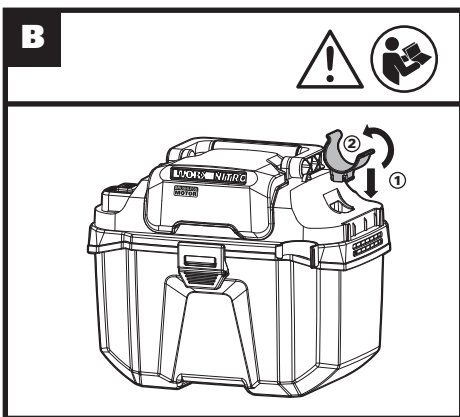
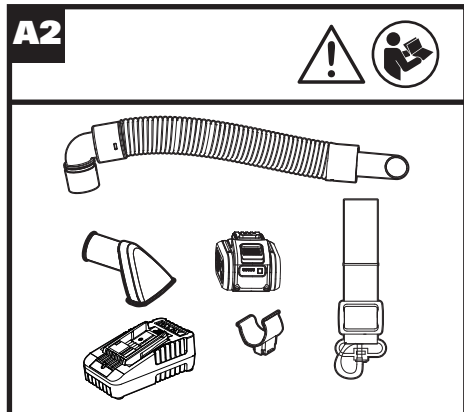
- i) Do not maintain battery pack on charge when not in use.**
- j) After extended periods of storage, it may be necessary to charge and discharge the battery pack several times to obtain maximum performance.**
- k) Recharge only with the charger specified by Worx. Do not use any charger other than that specifically provided for use with the equipment.**
- l) Do not use any battery pack which is not designed for use with the equipment.**
- m) Keep battery pack out of the reach of children.**
- n) Retain the original product literature for future reference.**
- o) Remove the battery from the equipment when not in use.**
- p) Dispose of properly.**
- q) Do not mix cells of different manufacture, capacity, size or type**

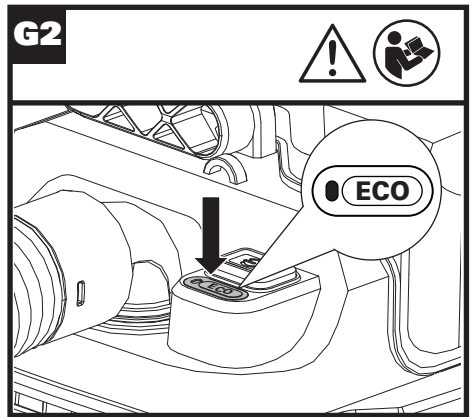
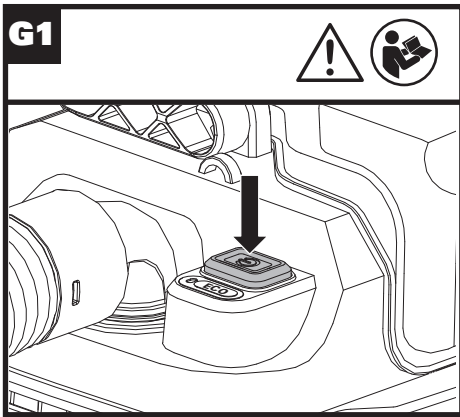
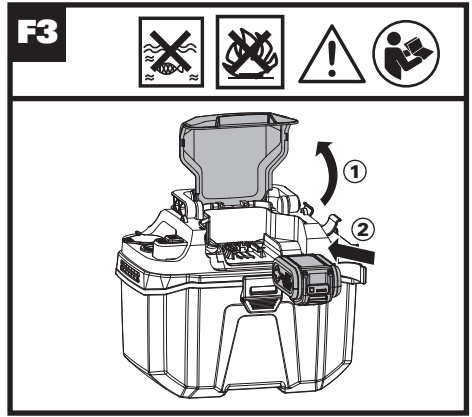
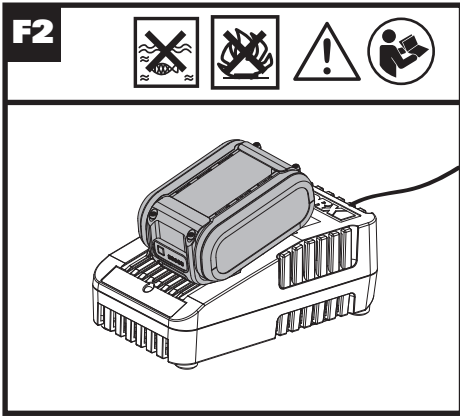
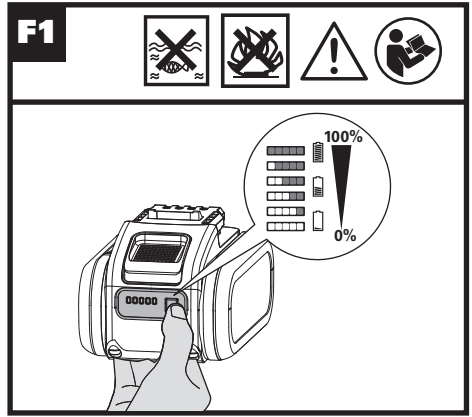
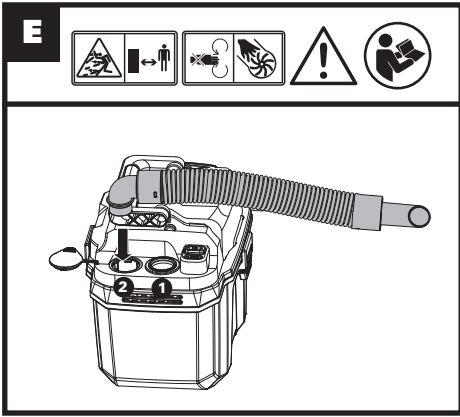
- within a device.**
- r) Keep the battery away from microwaves and high pressure.**

## SYMBOLS

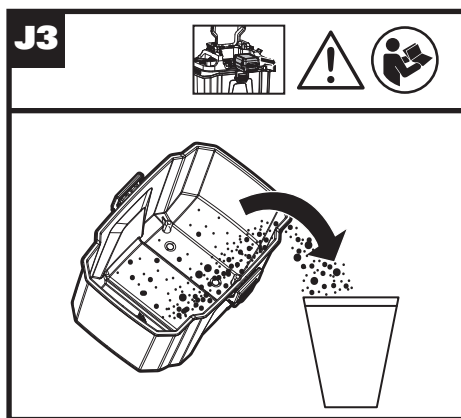
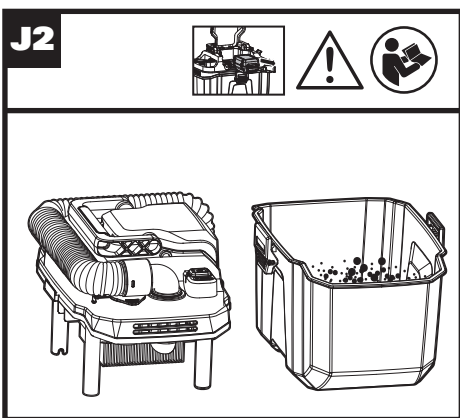
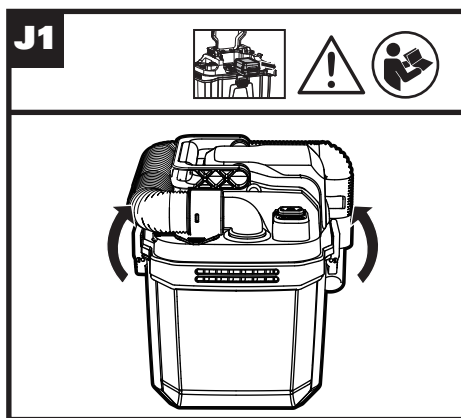
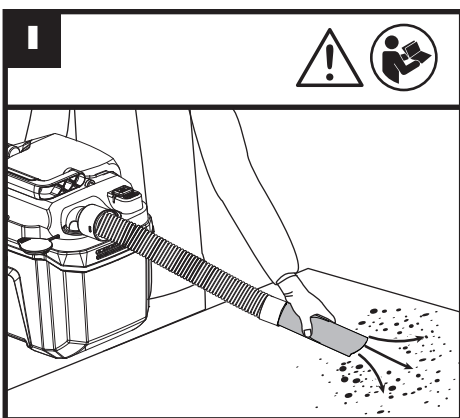
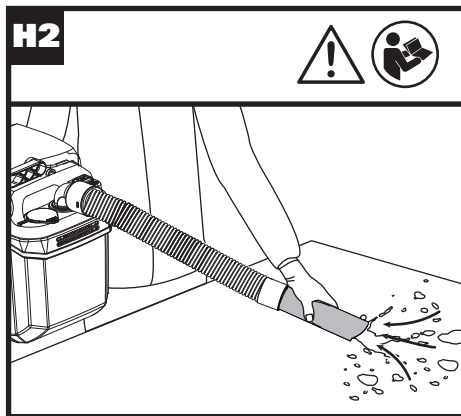
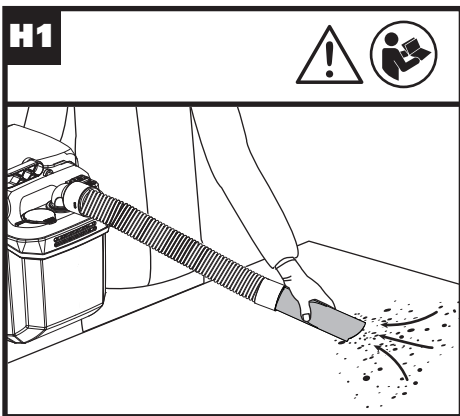
	To reduce the risk of injury, user must read instruction manual
	Warning
	Batteries may enter water cycle if disposed improperly, which can be hazardous for ecosystem. Do not dispose of waste batteries as unsorted municipal waste.
	Do not burn
	Waste electrical products must not be disposed of with household waste. Please recycle where facilities exist. Check with your local authorities or retailer for recycling advice.
 <b>Li-Ion</b> 	Li-Ion battery This product has been marked with a symbol relating to 'separate collection' for all battery packs and battery pack. It will then be recycled or dismantled in order to reduce the impact on the environment. Battery packs can be hazardous for the environment and for human health since they contain hazardous substances.

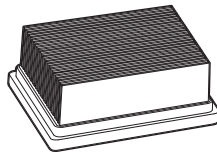
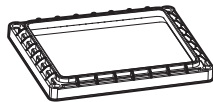
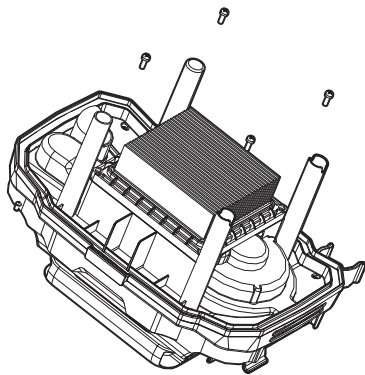
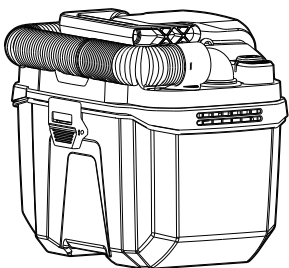
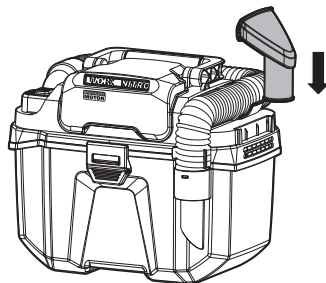
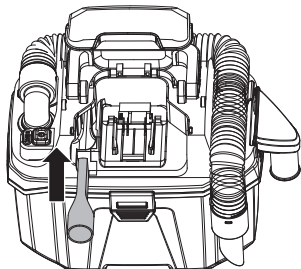











**K****L1****L2****L3**

## 2. COMPONENT LIST

<b>1. HOSE WITH TAPERED NOZZLE</b>
<b>2. BLOWER OUTLET</b>
<b>3. SUCTION INLET</b>
<b>4. HANDLE</b>
<b>5. BATTERY COVER</b>
<b>6. LID</b>
<b>7. HOSE HOOK</b>
<b>8. TANK LATCH</b>
<b>9. COLLECTION CONTAINER</b>
<b>10. ON/OFF SWITCH</b>
<b>11. ECO BUTTON</b>
<b>12. WIDE NOZZLE</b>
<b>13. CREVICE NOZZLE</b>
<b>14. SHOULDER STRAP</b>

Some of the accessories mentioned in illustrations or texts are not included in the scope of supply.

## 3. TECHNICAL DATA

	WX031	WX031.X *
Rated Voltage	20V  Max.**	
Suction	16 Kpa	
Air Flow	1.1 m <sup>3</sup> /min	
Dustbin Capacity	8 L	
Water Capacity	3 L	
Run Time (4.0Ah)	40 mins	
Machine Weight (bare tool)	3 kg	

\* X=1-999, A-Z, M1-M9 there are only used for different customers, there are no safe relevant changes between these models.

\*\* Voltage measured without workload. Initial battery voltage reaches maximum of 20 volts. Nominal voltage is 18 volts.

Category	Type	Capacity
20V Battery	WA3551	2.0Ah
	WA3014	4.0Ah
20V Charger	WA3880	2.0A

We recommend that you purchase your accessories from the same store that sold you the tool. Refer to the accessory packaging for further details. Store personnel can assist you and offer advice.

## 4. INTENDED USE

This machine can be used as both vacuum cleaner and blower. With the strong suction power, it can easily pick up wet and dry messes.

## 5. OPERATING INSTRUCTIONS





**NOTE:** Please read the instructions carefully before use.

### ASSEMBLY AND OPERATION

ACTION	FIGURE	11
<b>BEFORE OPERATION</b>		
<b>Take out all accessories</b> Unhook the tank latches on each side to open the lid and take out all the accessories.	See Fig. A1, A2	
<b>Hose hook assembly</b> Install the hose hook onto the lid, facing it upward.	See Fig. B	
Assembling the shoulder strap	See Fig. C	
<b>Function selection</b> This machine has the suction inlet (Position 1) and blower outlet (Position 2) separately. Connect the hose to the proper port depending on your work.		
<b>Function as a vacuum</b> Insert the hose into the suction inlet (Position 1).	See Fig. D1, D2	
<b>Nozzle assembly</b> When using as a vacuum, you can choose wide nozzle and crevice nozzle depending on different working needs.		

# 20V Cordless Wet/Dry Vacuum Cleaner

# WX031 WX031.X

<p><b>Function as a blower</b> Insert the hose into the blower outlet (Position 2).</p>	See Fig. E	<p><b>Using as a vacuum cleaner</b></p> <p><b>Dry Vacuuming</b> Vacuum items only small enough to fit through the hose. When vacuuming, make sure that the filter stays in place. The performance of the vacuum will decrease with a full collection container. When emptying the collection container, check to see if the filter needs cleaning.</p> <p><b>Attention:</b></p> <ol style="list-style-type: none"> <li>1. Do not suck sharp objects such as nails into the vacuum.</li> <li>2. Do not suck objects with high temperature such as carbon ash. Please let it cool down first.</li> <li>3. Clean the HEPA filter regularly.</li> </ol> <p><b>Wet Vacuuming</b> This machine is equipped with double-probe detector, which is designed to shut off the suction when the collection container reaches full wet capacity. When the collection container is full, empty the collection container as shown in Maintenance.</p> <p><b>Attention:</b></p> <ol style="list-style-type: none"> <li>1. Put the machine on the flat ground.</li> <li>2. Make sure the filter is completely dry after picking up water or wet debris.</li> </ol>	See Fig. H1, H2	
<p>Checking the battery charge condition <b>NOTE:</b> Fig. F1 only applies for the battery pack with battery indicator light.</p>	See Fig. F1			
<p>Charging the battery pack</p>	See Fig. F2			
<p>Installing the battery pack</p>	See Fig. F3			
<p><b>OPERATION</b></p>				
<p><b>Turning on the machine</b> Press the on-off switch to start operation.</p> <p><b>Power Selection</b> When the switch is pressed for the first time, the machine starts and works at high speed. Press the ECO button for a low speed. Press it again, the cleaner will switch to high speed. To stop, press the ON/OFF switch again.</p> <p><b>NOTE:</b> When working under high speed, the light is not on. When working under ECO mode, the light shows green.</p> <p> <b>WARNING:</b> Please keep the air intake unobstructed, otherwise it may cause motor overheating and may damage the machine.</p>				See Fig. G1, G2
<p><b>12</b></p>				
		<p><b>Using as a blower</b> Open the rubber cover on position 2 to start using the air blowing function and put it back to its original place after completion.</p> <p> <b>WARNING:</b> Never point the nozzle at anyone in the vicinity.</p>	See Fig. I	

## 6. MAINTENANCE

**Remove the battery before carrying out any servicing or maintenance.**

**Emptying the collection container (See Fig. J1, J2, J3)**


**Dry Waste:**

Remove the battery pack. Unhook the two locking latches and remove the lid. Inspect the filter, lightly shake any dust or dirt from it, or replace if necessary. Empty the collection container, or wash out if necessary. Before replacing the lid, make sure all pieces are completely dry. Reinstall lid and lock securely.

**Liquid Waste:**

Remove the battery pack. Unhook the two locking latches and remove the lid. Empty the collection

container, or wash out if necessary. Before reinstalling the lid, make sure all pieces are completely dry. Reinstall lid and lock securely.


 **WARNING:** Do not use the vacuum without installing the filter. If suction has decreased, empty the tank of debris or clean the filter.

#### Filter Cleaning (See Fig. K)

Remove the battery pack. Unlock the two locking latches and remove the lid.

**To Clean/Replace:** Remove the filter by loosening the screws on top of the tank lid. Lightly shake any dust or dirt off the filter or replace it if needed. Reinstall the filter by aligning it back on the lid and tightening the screws.

**NOTE:** Make sure the filter is seated properly.

 **WARNING:** Never wash the filter in a washing machine.

**NOTE:** Clean the filter regularly to ensure optimal suction and performance.

## 7. STORAGE

**Store the hose and nozzles as shown in Fig. L1, L2, L3.**

Clean all foreign material from the vacuum cleaner. Clean the outside of the collection container with warm water and mild soap. Empty and clean the collection container, hose, nozzles, and attachments with warm water and mild soap, and allow to completely dry before storage. The collection container should be disinfected if needed before prolonged storage. Store indoors where is dry and inaccessible to children. Keep away from corrosive agents such as garden chemicals and de-icing salts.

#### FOR BATTERY TOOLS:

The ambient temperature range for tool and battery use and storage is 0°C–45°C.

The recommended ambient temperature range for the charging system during charging is 0°C–40°C.

## 8. TROUBLESHOOTING

Issue	Causes	Solutions
Vacuum does not turn on	No battery	Install battery
	Battery is low	Charge the battery
	Filter blocked	Clean or replace the filter
	Tank lid is not firmly latched	Secure the tank lid
	Hose blocked	Clean blockage

## 9. ENVIRONMENTAL PROTECTION



Waste electrical products must not be disposed of with household waste. Please recycle where facilities exist. Check with your local authorities or retailer for recycling advice.

## 10. DECLARATION OF CONFORMITY

We,  
Positec Germany GmbH  
Postfach 32 02 16, 50796 Cologne, Germany

On behalf of Positec declare that the product  
Description **Battery operated vacuum cleaner**  
Type **WX031 WX031.X (031-designation of machinery, representative of Battery-operated vacuum cleaner)**  
Function **For household cleaning or similar purposes**

Complies with the following Directives:  
**2014/35/EU,**  
**2014/30/EU,**  
**2011/65/EU&(EU)2015/863**

Standards conform to  
**EN 60335-1,**  
**EN 60335-2-2,**  
**EN 62233,**  
**EN 55014-1,**  
**EN 55014-2**

14



2021/05/25  
Allen Ding  
Deputy Chief Engineer, Testing & Certification  
Positec Technology (China) Co., Ltd  
18, Dongwang Road, Suzhou Industrial  
Park, Jiangsu 215123, P. R. China

**20V Cordless Wet/Dry  
Vacuum Cleaner**

**WX031 WX031.X**

# DECLARATION OF CONFORMITY

We,  
Positec (UK & Ireland) Ltd,  
PO Box 6242, Newbury, RG14 9LT, UK

On behalf of Positec declare that the product  
Description **Battery operated vacuum cleaner**  
Type **WX031 WX031.X (031-designation of machinery, representative of Battery-operated vacuum cleaner)**  
Function **For household cleaning or similar purposes**

Complies with the following Directives:  
**Supply of Machinery (Safety) Regulations 2008**  
**Electromagnetic Compatibility Regulations 2016**  
**The Restriction of the Use of Certain Hazardous Substances in Electrical and Electronic Equipment Regulations**

Standards conform to  
**BS EN 60335-1, BS EN 60335-2-2, BS EN 62233, BS EN 55014-1, BS EN 55014-2**



2021/05/25  
Allen Ding  
Deputy Chief Engineer, Testing & Certification  
Positec Technology (China) Co., Ltd  
18, Dongwang Road, Suzhou Industrial  
Park, Jiangsu 215123, P. R. China



### **After-sales Service and Application**

At [www.worx.com](http://www.worx.com) you can order spare parts or arrange the collection of a product in need of servicing or repair.

Tel. Service: 0345 202 9679

E-Mail: [customerservices@worxtools.com](mailto:customerservices@worxtools.com)

**[www.worx.com](http://www.worx.com)**

Copyright © 2022, Positec. All Rights Reserved.  
AR01606002