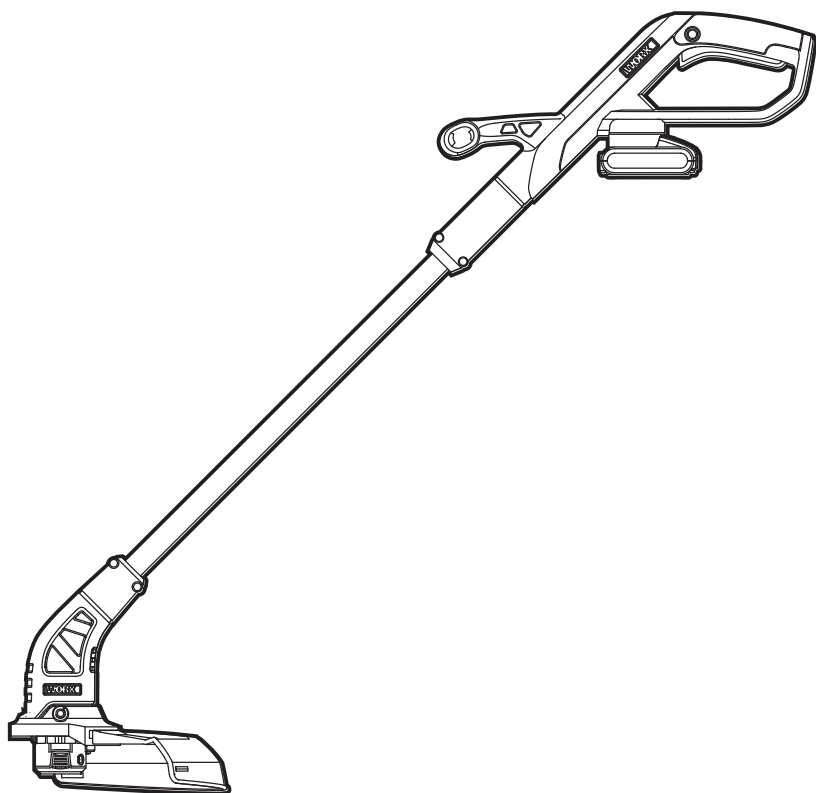


# **WORX**



## **SAFETY AND OPERATING MANUAL**

### **ORIGINAL INSTRUCTIONS**

**2-in-1**  
**Grass Trimmer/Edger**

**WG157E**  
**WG157E.X**

## **PRODUCT SAFETY**

### **GENERAL SAFETY WARNINGS**

 **WARNING: Read all safety warnings and all instructions.**

Failure to follow the warnings and instructions may result in electric shock, fire and/or serious injury.

**Save all warnings and instructions for future reference.**

The appliance is only to be used with the power supply unit provided with the appliance.

### **IMPORTANT READ CAREFULLY BEFORE USE**

### **KEEP FOR FUTURE REFERENCE**

### **SAFE OPERATING PRACTICES**

#### **1. TRAINING**

- a) Read the instructions carefully. Be familiar with the controls and the correct use of the machine.
- b) Never allow children, persons with reduced physical, sensory or mental capabilities or lack of experience and knowledge or people unfamiliar with these instructions to use the machine, local regulations may restrict the age of the operator.

- c) Keep in mind that the operator or user is responsible for accidents or hazards occurring to other people or their property.

#### **2. PREPARATION**

- a) Before use, always visually inspect the machine for damaged, missing or misplaced guards or shields.
- b) Never operate the machine while people, especially children, or pets are nearby.

#### **3. OPERATION**

- a) Wear eye protection, long trousers and stout shoes at all times while operating the machine.
- b) Avoid using the machine in bad weather conditions especially when there is a risk of lightning.
- c) Use the machine only in daylight or good artificial light.
- d) Never operate the machine with damaged guards or shields or without guards or shields in place.
- e) Switch on the motor only when the hands and feet are away from the cutting means.
- f) Always disconnect the machine from the power supply (e.g. remove the battery pack from the machine)

- 1) Whenever the machine is left unattended;
  - 2) Before clearing a blockage;
  - 3) Before checking, cleaning or working on the machine;
  - 4) After striking a foreign object;
  - 5) Whenever the machine starts vibrating abnormally.
  - g) Take care against injury to feet and hands from the cutting means.
  - h) Always ensure that the ventilation openings are kept clear of debris.
  - i) Never fit metal cutting elements.
  - j) Always be sure of your footing on slopes.
  - k) Walk, never run.
  - l) Not overreach and keep the balance at all times.
  - m) Not to touch moving hazardous parts before removing the battery pack from the machine and the moving hazardous parts have come to a complete stop.
- c) Inspect and maintain the machine regularly. Have the machine repaired only by an authorized repairer.
- d) When not in use, store the machine out of the reach of children.

## **SAFETY WARNINGS FOR BATTERY PACK**

- a) **Do not dismantle, open or shred cells or battery pack.**
- b) **Do not short-circuit a battery pack. Do not store battery packs haphazardly in a box or drawer where they may short-circuit each other or be short-circuited by conductive materials.** When battery pack is not in use, keep it away from other metal objects, like paper clips, coins, keys, nails, screws or other small metal objects, that can make a connection from one terminal to another. Shorting the battery terminals together may cause burns or a fire.
- c) **Do not expose battery pack to heat or fire. Avoid storage in direct sunlight.**
- d) **Do not subject battery**

## **4. MAINTENANCE AND STORAGE**


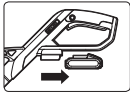

- a) Disconnect the machine from the power supply (e.g. remove the battery pack from the machine) before carrying out maintenance or cleaning work.
- b) Use only the manufacturer's

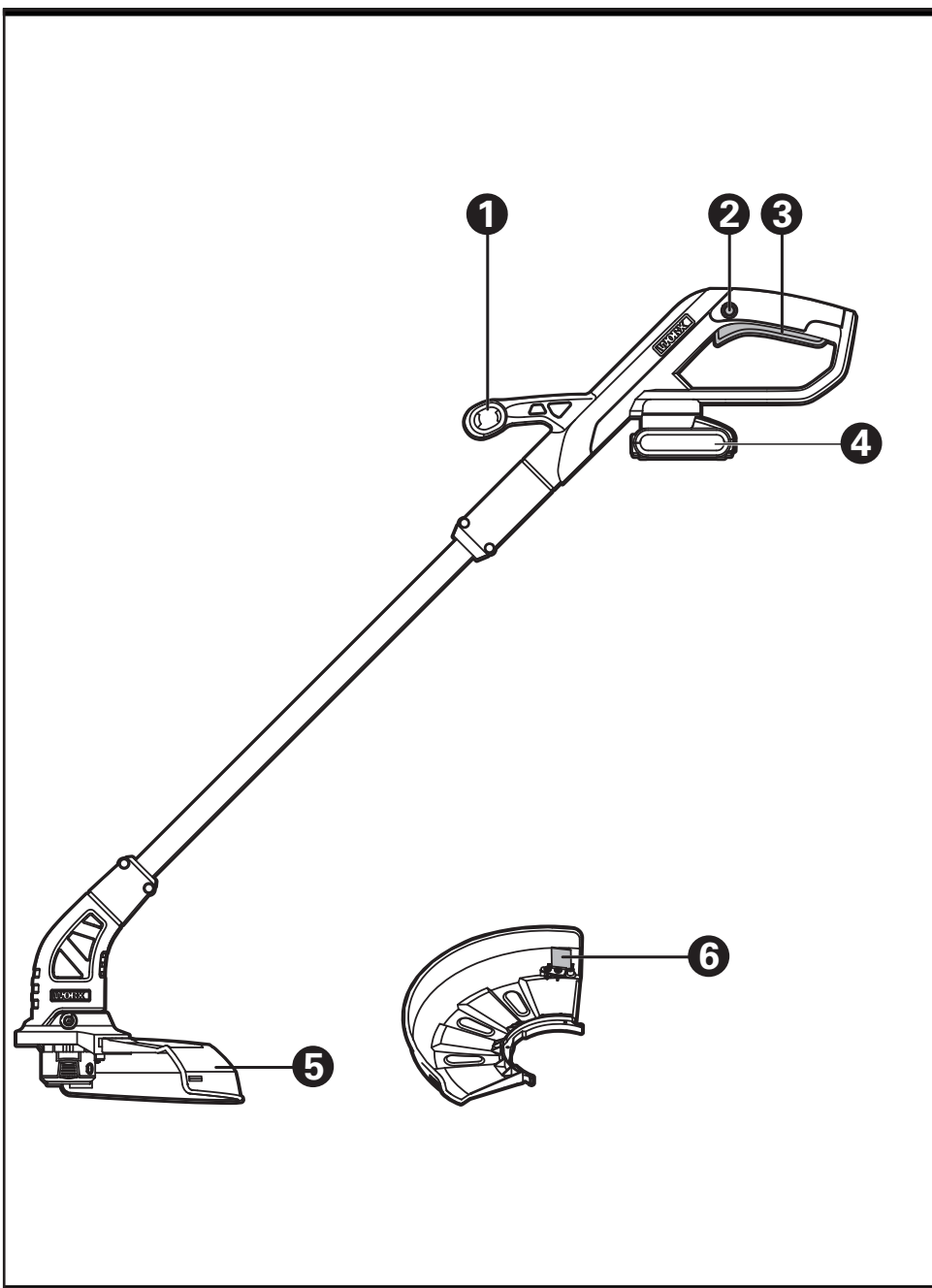
**pack to mechanical shock.**

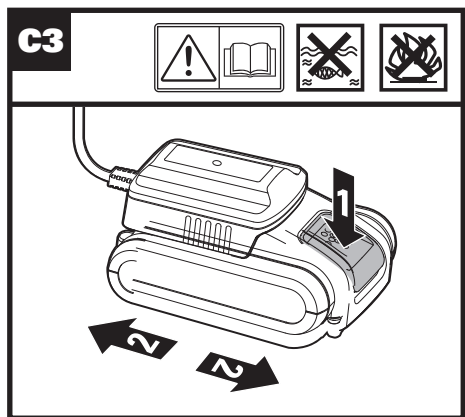
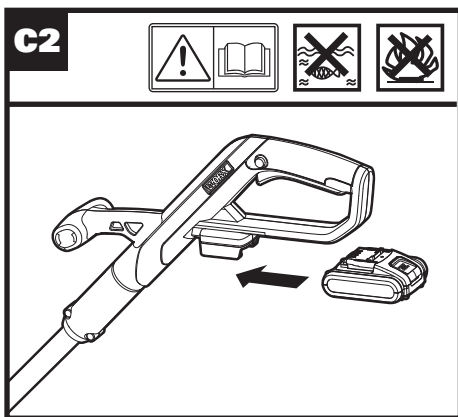
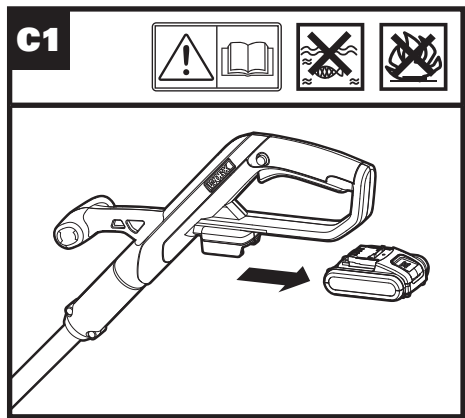
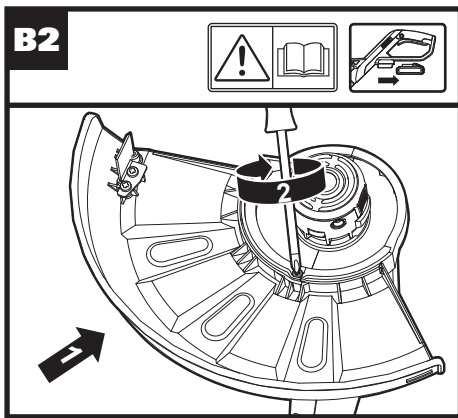
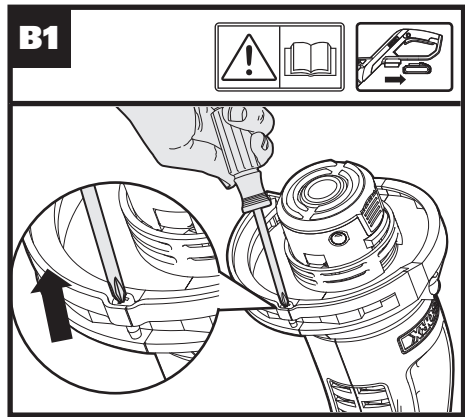
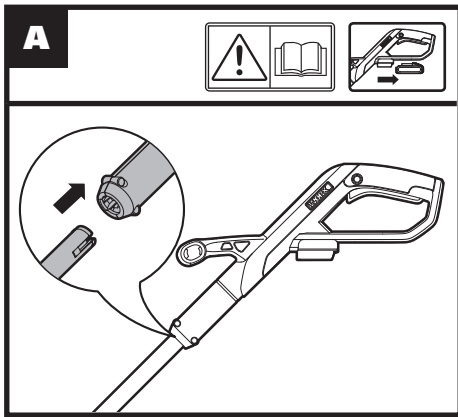
- e) In the event of battery leaking, do not allow the liquid to come into contact with the skin or eyes. If contact has been made, wash the affected area with copious amounts of water and seek medical advice.**
  - f) Seek medical advice immediately if a cell or battery pack has been swallowed.**
  - g) Keep battery pack clean and dry.**
  - h) Wipe the battery pack terminals with a clean dry cloth if they become dirty.**
  - i) Battery pack needs to be charged before use. Always refer to this instruction and use the correct charging procedure.**
  - j) Do not maintain battery pack on charge when not in use.**
  - k) After extended periods of storage, it may be necessary to charge and discharge the battery pack several times to obtain maximum performance.**
  - l) Battery pack gives its best performance when**
- it is operated at normal room temperature (20°C ± 5°C).**
  - m) When disposing of battery packs, keep battery packs of different electrochemical systems separate from each other.**
  - n) Recharge only with the charger specified by Worx. Do not use any charger other than that specifically provided for use with the equipment.** A charger that is suitable for one type of battery pack may create a risk of fire when used with another battery pack.
  - o) Do not use any battery pack which is not designed for use with the equipment.**
  - p) Keep battery pack out of the reach of children.**
  - q) Retain the original product literature for future reference.**
  - r) Remove the battery from the equipment when not in use.**
  - s) Dispose of properly.**

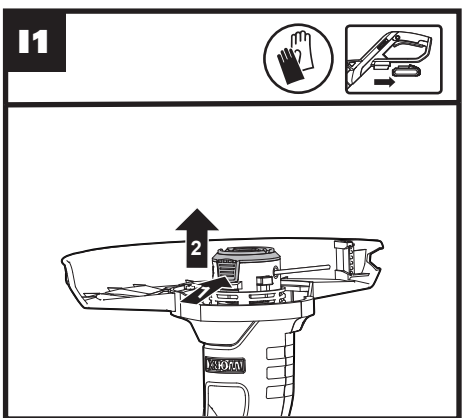
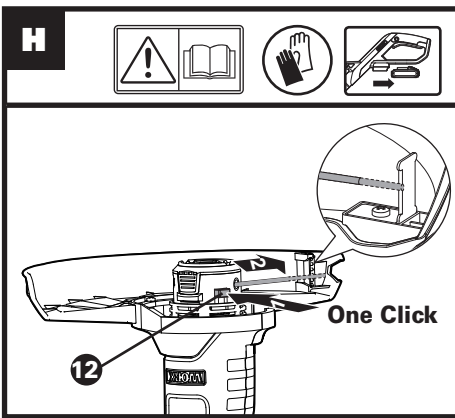
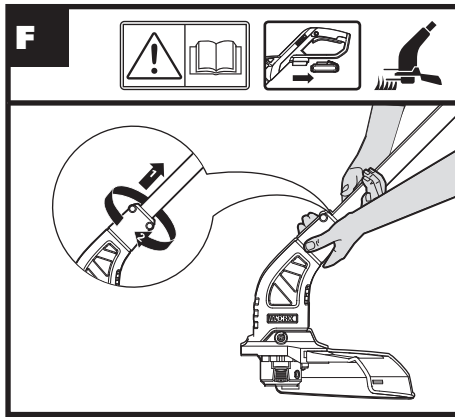
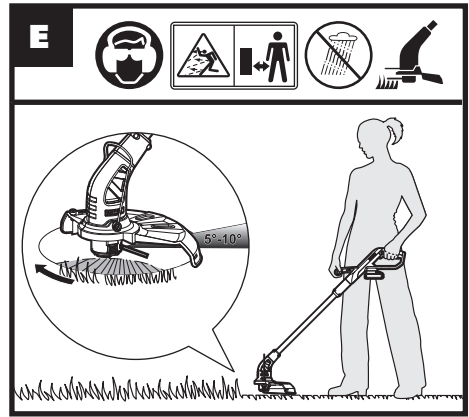
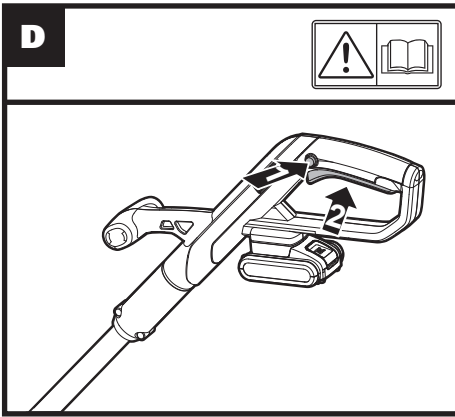
# SYMBOLS

	Read operator's manual
	Warning
	Keep bystanders away
	Wear eye and ear protection
	Do not expose to rain
	Trimming
	Edging
	Wear protective gloves
 Li-Ion 	Do not dispose of batteries, Return exhausted batteries to your local collection or recycling point.
	Do not expose to rain or water

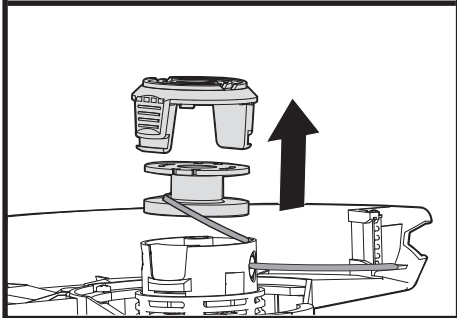
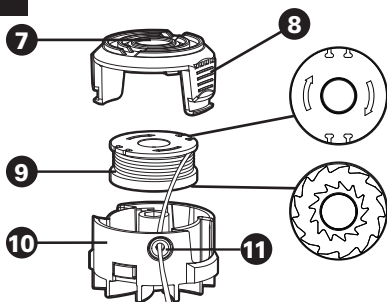
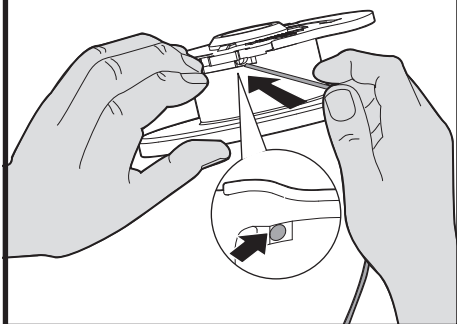
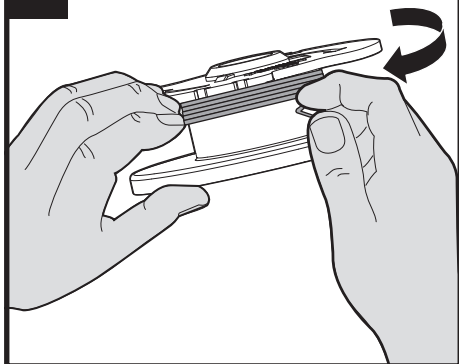
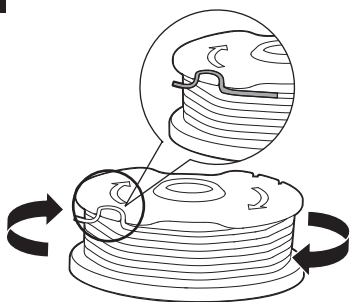
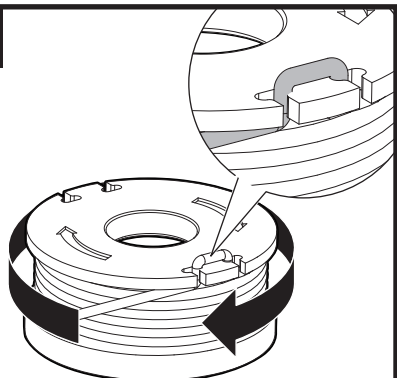
	Do not burn
	Make sure the battery is removed prior to changing accessories.
	Waste electrical products must not be disposed of with household waste. Please recycle where facilities exist. Check with your local authorities or retailer for recycling advice.









**I2****J****K1****K2****K3****K4**

## COMPONENT LIST

1. AUXILIARY HANDLE
2. LOCK OFF BUTTON
3. ON/OFF SWITCH
4. BATTERY PACK\*
5. SAFETY GUARD
6. LINE CUTTER
7. TRIMMER HEAD COVER (See Fig.J)
8. CAP RELEASE LATCH (See Fig.J)
9. SPOOL (See Fig. J)
10. TRIMMER HEAD (See Fig. J)
11. EYELET (See Fig. J)
12. LINE FEED BUTTON (See Fig. H)

\* Not all the accessories illustrated or described are included in standard delivery.

## TECHNICAL DATA

Type **WG157E WG157E.X (1-designation of machinery, representative of Cordless Grass Trimmer)**

	WG157E WG157E.X***
Voltage	20V == Max** Lithium
No load speed	8500/min
Cutting diameter	25cm
Line diameter	1.65mm
Machine weight (Bare Tool)	1.5kg

\*\* Voltage measured without workload. Initial battery voltage reaches maximum of 20 volts. Nominal voltage is 18 volts.

\*\*\* X=1-999, A-Z, M1-M9 there are only used for different customers, there are no safe relevant changes between these models.

## SUGGESTED BATTERIES AND CHARGERS

Category	Type	Capacity
20V Battery	WA3550	1.5 Ah
	WA3550.1	1.5 Ah
	WA3551	2.0 Ah
	WA3551.1	2.0 Ah
20V Charger	WA3760	0.4 A

We recommend that you purchase your accessories from the same store that sold you the tool. Refer to the accessory packaging for further details. Store personnel can assist you and offer advice.

## NOISE DATA

A weighted sound pressure  $L_{pA}$  80dB(A)

A weighted sound power  $L_{wA}$  94dB(A)

$K_{pA}$  3.0dB(A)

Wear ear protection.



## VIBRATION INFORMATION

Typical weighted vibration	$a_h < 2.5m/s^2$
	Uncertainty $K=1.5m/s^2$

The declared vibration total value may be used for comparing one tool with another, and may also be used in a preliminary assessment of exposure.



**WARNING!** The vibration emission value during actual use of the power tool can differ from the declared value depending on the ways in which the tool is used dependant on the following examples and other variations on how the tool is used:

How the tool is used and the materials being cut or drilled.

The tool being in good condition and well maintained.

The use the correct accessory for the tool and ensuring it is sharp and in good condition.

The tightness of the grip on the handles and if any anti vibration accessories are used.

**2-in-1  
Grass Trimmer/Edger**

**WG157E  
WG157E.X**

And the tool is being used as intended by its design and these instructions.

**This tool may cause hand-arm vibration syndrome if its use is not adequately managed.**

**WARNING!** To be accurate, an estimation of exposure level in the actual conditions of use should also take account of all parts of the operating cycle such as the times when the tool is switched off and when it is running idle but not actually doing the job. This may significantly reduce the exposure level over the total working period.

Helping to minimize your vibration exposure risk. ALWAYS use sharp chisels, drills and blades. Maintain this tool in accordance with these instructions and keep well lubricated (where appropriate).

If the tool is to be used regularly then invest in anti vibration accessories.

Plan your work schedule to spread any high vibration tool use across a number of days.

## OPERATING INSTRUCTIONS

**NOTE:** Before using the tool, read the instruction book carefully.

### Intended Use

The machine is intended for the cutting of grass and weeds under bushes, as well as on slopes and edges that can not be reached with the lawn mower.

**WARNING!** The charger and Battery Pack are specially designed to work together so do not attempt to use any other devices. Never insert or allow foreign metallic objects into your charger or Battery Pack connections because of electrical failure and other hazards that will occur.

**WARNING!** Always wear the eye protection. Never lean over the trimmer head. Rocks or debris can ricochet or be thrown into eyes and face and cause blindness or other serious injury. When operating unit, check for the following:

Wear eye protection and heavy clothing. Hold front handle with one hand and Auxiliary Handle with the other hand. Keep unit below waist level. Work only from your right to your left to ensure debris is thrown away from you. Without bending over, keep line near and parallel to the ground (perpendicular when edging) and not crowded into material being cut.

**WARNING!** Make sure that line is fed out before operation. Make sure motor is up to full speed before trimming or edging.

**WARNING!** Only use 1.65mm diameter cutting line. Other sizes of line will not feed properly and will result in

improper cutting head function or can cause serious injury. Do not use other material such as wire, string, rope, etc. Wire can break off during cutting and become a dangerous projectile that can cause serious injury.

Action	Figure
<b>Assembly</b>	
Assembling the Main Handle <b>Note:</b> Make sure that the handle is firmly locked in place. Do not try to remove these pieces after connecting.	See Fig. A
Assembling the Safety Guard <b>WARNING!</b> Make Sure the Safety Switch is Locked Off to Prevent Accidental Starting.	See Fig. B1, B2
Removing/Installing Battery Pack <b>Note:</b> When removing the battery pack, hold it firmly to avoid potential accidents.	See Fig. C1, C2
Charging Battery Pack More details can be found in charger's manual.	See Fig. C3
<b>Operation</b>	
Safety ON/OFF Switch <b>WARNING!</b> The cutting head continues to rotate after the trimmer has been switched off; wait until it has completely stopped then lay down the tool.	See Fig. D
Trimming	See Fig. E
Edging <b>WARNING!</b> Always remove the battery pack before adjusting the trimming head position. <b>Note:</b> The trimmer head will only rotate in one direction.	See Fig. F, G
Manually Feeding the Line	See Fig. H
Removing the Cap	See Fig. I1, I2
Replacing the Trimmer Line and Spool	See Fig. J
Manually Winding the Line	See Fig. K1-K4

## WORKING HINTS

### 1. AUTOMATIC LINE FEED SYSTEM

When initially switching on the trimmer, a small length of line is fed out. A 'clattering' noise will be heard when the lines hit the Line Cutter. **DO NOT BE ALARMED.** This is quite normal. After about 5 seconds the line will be cut to the correct length and the noise will reduce as the motor gains full speed. If the noise of the line being cut can't be heard, more line will need to be fed out. To feed more line, it is first necessary to allow the trimmer to stop completely; it must come to a complete rest, then restart, allowing the motor to reach full speed. Repeat above until you hear the line hitting against the Line Cutter.

### 2. MANUALLY FEEDING THE LINE (SEE FIG. H)

Press and release manual line feed button (13), whilst gently pull out the lines until the lines reaches the line cutter.

If the line extends past the line cutter, too much line has been fed out.

If too much line is fed out, remove the cutting head cover and rotate the spool anti-clockwise until the line is at the desired length.

## STORING YOUR GRASS TRIMMER



**Always remove the battery pack from your trimmer after use.**

Store in a dry place where the trimmer and battery can be protected from damage.

## MAINTENANCE



**Always remove the battery pack from your trimmer after use.**

Always check the product prior to being used for any damage.

Never operate your product if it is damaged.

Your power tool requires no additional lubrication or maintenance. There are no user serviceable parts in your power tool. Never use water or chemical cleaners to clean your power tool. Wipe clean with a dry cloth. Always store your power tool in a dry place. Keep the motor ventilation slots clean. Keep all working controls free of dust.

# TROUBLESHOOTING

The following table gives checks and actions that you can perform if your machine does not operate correctly. If these do not identify and correct the problem, contact your service agent.



**WARNING: Switch the machine off and remove the battery prior to any troubleshooting.**

Problems	Possible Causes	Corrective Action
Trimmer fails to operate.	Battery discharged.  Battery too hot/cold. Motor is broken. Internal wiring of machine damaged.	Recharge battery; also see the content in charger manual Allow to cool/warm. Contact Service Agent. Contact Service Agent.
Trimmer runs intermittently.	Motor is broken. Battery not fully charged. On/Off switch defective.	Contact Service Agent. Recharge battery. Contact Service Agent.
Excessive vibrations/ noise.	Machine defective. Line spool is not wound well.	Contact Service Agent. Rewind the line. See "To fit spool and line assembly."
Cutting time per battery charge too low.	Battery has not been used for long period or only charged for short term. Grass too high. Battery defective.	Fully charge battery; also see the content in charger manual Cut in stages. Replace the battery.
Machine does not cut.	Line broken. Battery not fully charged.  Motor is broken (speed is too low). Grass entangled around cutting head.	Replace the line. Recharge battery; also see the content in charger manual Contact Service Agent. Remove grass.
Continuous lighting of the battery charge indicator No charging procedure possible.	Battery not (properly) inserted.  Battery contacts contaminated.  Battery defective.	Properly insert battery into battery charger. Clean the battery contacts (e.g. by inserting and removing the battery several times) or replace the battery. Replace the battery.
Battery charge indicator does not light up.	Plug of battery charger not plugged in (properly). Socket outlet, mains cable or battery charger defective.	Insert mains plug (fully) into the socket outlet. Check the mains voltage; have the battery charger checked by an authorized after-sales service agent.
Auto feed does not work	Cutting line is not wound well. The line is tangled.  Line is used up.	Manually feed the line, if still can not feed out, remove the spool out and rewind the line. Replace with a new line spool.

## ENVIRONMENTAL PROTECTION



Waste electrical products must not be disposed of with household waste. Please recycle where facilities exist. Check with your local authorities or retailer for recycling advice.

# DECLARATION OF CONFORMITY

We,  
Positec Germany GmbH  
Postfach 32 02 16, 50796 Cologne, Germany

On behalf of Positec declare that the product  
Description **Worx Cordless Lawn Trimmer /Lawn Edge Trimmer**  
Type **WG157E WG157E.X (1-designation of machinery, representative of Cordless Grass Trimmer)**  
Function **Cutting grass and similar soft vegetation and for trimming grass edges**

Complies with the following Directives,  
**2006/42/EC**  
**2014/30/EU**  
**2011/65/EU&(EU)2015/863**  
**2000/14/EC amended by 2005/88/EC**

2000/14/EC amended by 2005/88/EC:  
- Conformity Assessment Procedure as per **Annex VI**  
- Measured Sound Power Level **89.8dB(A)**  
- Declared Guaranteed Sound Power Level **94dB(A)**

-The notified body involved  
Name: **Intertek Testing & Certification Ltd (notified body 0359)**  
Address: **Davy Avenue, Knowlhill, Milton Keynes, MK5 8NL**

Standards conform to:  
**EN 60335-1**  
**EN 50636-2-91**  
**EN 62233**  
**EN ISO 3744**  
**EN 55014-1**  
**EN 55014-2**

The person authorized to compile the technical file,  
**Name: Marcel Filz**  
**Address: Positec Germany GmbH**  
**Postfach 32 02 16, 50796 Cologne, Germany**



2022/01/28  
Allen Ding  
Deputy Chief Engineer, Testing & Certification  
Positec Technology (China) Co., Ltd.  
18, Dongwang Road, Suzhou Industrial  
Park, Jiangsu 215123, P. R. China

**2-in-1  
Grass Trimmer/Edger**

**WG157E  
WG157E.X**

# DECLARATION OF CONFORMITY

We,  
Positec (UK & Ireland) Ltd.  
PO Box 6242, Newbury, RG14 9LT, UK

On behalf of Positec declare that the product  
Description **Worx Cordless Lawn Trimmer /Lawn  
Edge Trimmer**  
Type **WG157E WG157E.X (1-designation of  
machinery, representative of Cordless Grass  
Trimmer)**  
Function **Cutting grass and similar soft  
vegetation and for trimming grass edges**

Complies with the following regulations,  
**Supply of Machinery (Safety) Regulations  
2008**  
**Electromagnetic Compatibility Regulations  
2016**  
**The Restriction of the Use of Certain  
Hazardous Substances in Electrical and  
Electronic Equipment Regulations**

**Noise Emission in the Environment by  
Equipment for Use Outdoors Regulations**  
- Conformity Assessment Procedure as per  
**SCHEDULE 9**  
- Measured Sound Power Level **89.8dB(A)**  
- Declared Guaranteed Sound Power Level  
**94dB(A)**

The notified body involved  
Name: **Intertek Testing and Certification Limited  
(Approved Body 0359)**  
Address: **Academy Place,1-9 Brook Street,  
Brentwood, Essex, CM14 5NQ, United  
Kingdom**

Standards conform to:  
**BS EN 60335-1, BS EN 50636-2-91,  
BS EN 62233, BS EN ISO 3744,  
BS EN 55014-1, BS EN 55014-2**

The person authorized to compile the technical file,  
Name: **Jim Kirkwood**  
Address: **Positec (UK & Ireland) Ltd.,  
PO Box 6242, Newbury, RG14 9LT, UK**



2022/01/28  
Allen Ding  
Deputy Chief Engineer, Testing & Certification  
Positec Technology (China) Co., Ltd.  
18, Dongwang Road, Suzhou Industrial  
Park, Jiangsu 215123, P. R. China



#### **After-sales Service and Application**

At [www.worx.com](http://www.worx.com) you can order spare parts or arrange the collection of a product in need of servicing or repair.

Tel. Service: 0345 202 9679

E-Mail: [customerservices@worxtools.com](mailto:customerservices@worxtools.com)

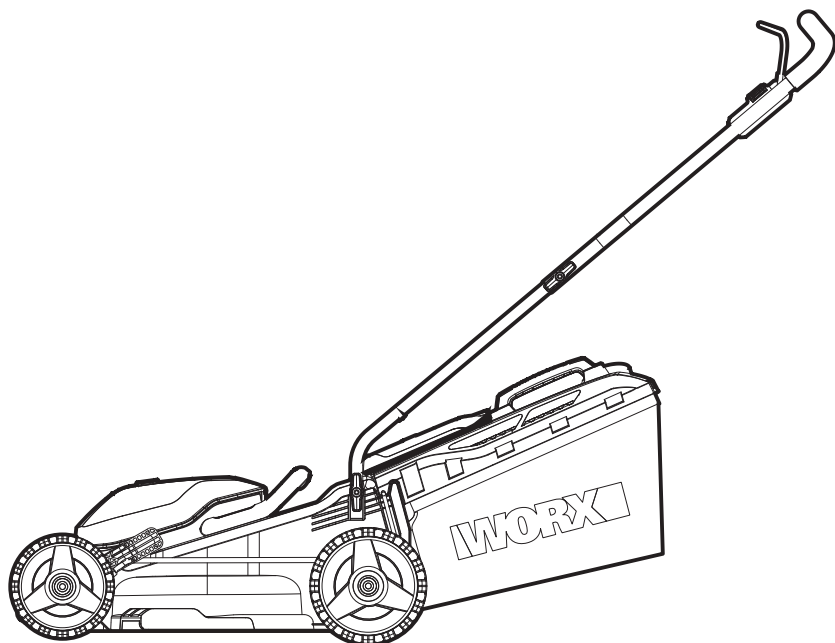
**[www.worx.com](http://www.worx.com)**

Copyright © 2022, Positec. All Rights Reserved.

AR01304806



# **WORX**



## **SAFETY AND OPERATING MANUAL**

### **ORIGINAL INSTRUCTIONS**

**Cordless Lawn Mower**  
**WG779E WG779E.X**

## **PRODUCT SAFETY GENERAL SAFETY WARNINGS**

 **WARNING! Read all safety warnings and all instructions.** Failure to follow the warnings and instructions may result in electric shock, fire and/or serious injury.

**Carefully read the instructions for the safe operation of the machine.**

**Save all warnings and instructions for future reference.**

- This appliance is not intended for use by persons (including children) with reduced physical, sensory or mental capabilities, or lack of experience and knowledge, unless they have been given supervision or instruction concerning use of the appliance by a person responsible for their safety.
- Children should be supervised to ensure that they do not play with the appliance.
- The appliance is only to

be used with the power supply unit provided with the appliance.

## **IMPORTANT READ CAREFULLY BEFORE USE KEEP FOR FUTURE REFERENCE Safe operation practices TRAINING**

- a) Read the instructions carefully. Be familiar with the controls and the proper use of the equipment;
- b) Never allow children or people unfamiliar with these instructions to use the lawnmower. Local regulations can restrict the age of the operator;
- c) Never mow while people, especially children, or pets are nearby;
- d) Keep in mind that the operator or user is responsible for accidents or hazards occurring to other people or their property.

## **PREPARATION**

- a) While mowing, always wear substantial footwear and long trousers. Do not operate

**Cordless Lawn Mower  
WG779E WG779E.X**

- the equipment when barefoot or wearing open sandals;
- b) thoroughly inspect the area where the equipment is to be used and remove all objects which can be thrown by the machine;
- c) Before using, always visually inspect to see that the blades, blade bolts and cutter assembly are not worn or damaged. Replace worn or damaged blades and bolts in sets to preserve balance;
- d) On multi-bladed machines, take care as rotating one blade can cause other blades to rotate.
- f) exercise extreme caution when changing direction on slopes;
- g) do not mow excessively steep slopes;
- h) use extreme caution when reversing or pulling the lawnmower towards you;
- i) stop the blade(s) if the lawnmower has to be tilted for transportation when crossing surfaces other than grass, and when transporting the lawnmower to and from the area to be mowed;
- j) never operate the lawnmower with defective guards, or without safety devices, for example deflectors and/or grass catchers, in place;
- k) switch on the motor carefully according to instructions and with feet well away from the blade(s);
- l) do not tilt the lawnmower when switching on the motor, except if the lawnmower has to be tilted for starting. In this case, do not tilt it more than absolutely necessary and lift only

## **OPERATION**

- a) mow only in daylight or in good artificial light;
- b) avoid operating the equipment in wet grass, where feasible;
- c) always be sure of your footing on slopes;
- d) walk, never run;
- e) for wheeled rotary machines, mow across the face of slopes, never up and down;

- the part which is away from the operator;
- m) do not put hands or feet near or under rotating parts. Keep clear of the discharge opening at all times;
  - n) not to touch the blades before the disabling device has been removed and the blades have come to a complete stop;
  - o) Do not start the lawnmower when standing in front of the discharge opening.
  - p) Do not transport the lawnmower while the power source is running.
  - q) Stop the lawnmower, and remove the disabling device. Make sure that all moving parts have come to a complete stop.
    - whenever leaving the machine unattended,
    - before clearing a blockage,
    - before checking, cleaning or working on the machine,
    - after striking a foreign object. Inspect the machine for damage and make repairs before restarting and operating the lawnmower

If the lawnmower starts to vibrate abnormally (check immediately)

- inspect for damage.
- replace or repair any damaged parts.
- check and tighten any loose parts.

## **MAINTENANCE AND STORAGE**

- a) Keep all nuts, bolts and screws tight to be sure the equipment is in safe working condition;
- b) Check the grass catcher frequently for wear or deterioration;
- c) Replace worn or damaged parts for safety. Use only genuine replacement parts and accessories.
- d) Be careful during adjusting of the lawnmower to prevent entrapment of the fingers between moving blades and fixed parts of the lawnmower.
- e) Always allow the lawnmower to cool down before storing.
- f) When servicing the blades be aware that, even though the power source is switched off, the

- blades can still be moved.
- g) For rotary mowers, ensure that only replacement cutting means of the right type are used.

## **SAFETY WARNINGS FOR BATTERY PACK**

- a) **Do not dismantle, open or shred cells or battery pack.**
- b) **Do not short-circuit a battery pack. Do not store battery packs haphazardly in a box or drawer where they may short-circuit each other or be short-circuited by conductive materials. When battery pack is not in use, keep it away from other metal objects, like paper clips, coins, keys, nails, screws or other small metal objects, that can make a connection from one terminal to another. Shorting the battery terminals together may cause burns or a fire.**
- c) **Do not expose battery pack to heat or fire. Avoid storage in direct sunlight.**

- d) **Do not subject battery pack to mechanical shock.**
- e) **In the event of battery leaking, do not allow the liquid to come into contact with the skin or eyes. If contact has been made, wash the affected area with copious amounts of water and seek medical advice.**
- f) **Keep battery pack clean and dry.**
- g) **Wipe the battery pack terminals with a clean dry cloth if they become dirty.**
- h) **Battery pack needs to be charged before use. Always refer to this instruction and use the correct charging procedure.**
- i) **Do not maintain battery pack on charge when not in use.**
- j) **After extended periods of storage, it may be necessary to charge and discharge the battery pack several times to obtain maximum performance.**
- k) **Recharge only with the charger specified**

by Worx. Do not use any charger other than that specifically provided for use with the equipment.

**l) Do not use any battery pack which is not designed for use with the equipment.**

**m) Keep battery pack out of the reach of children.**

**n) Retain the original product literature for future reference.**









**o) Remove the battery from the equipment when not in use.**

**p) Dispose of properly.**






**q) Do not mix cells of different manufacture, capacity, size or type within a device.**

**r) Keep the battery away from microwaves and high pressure.**

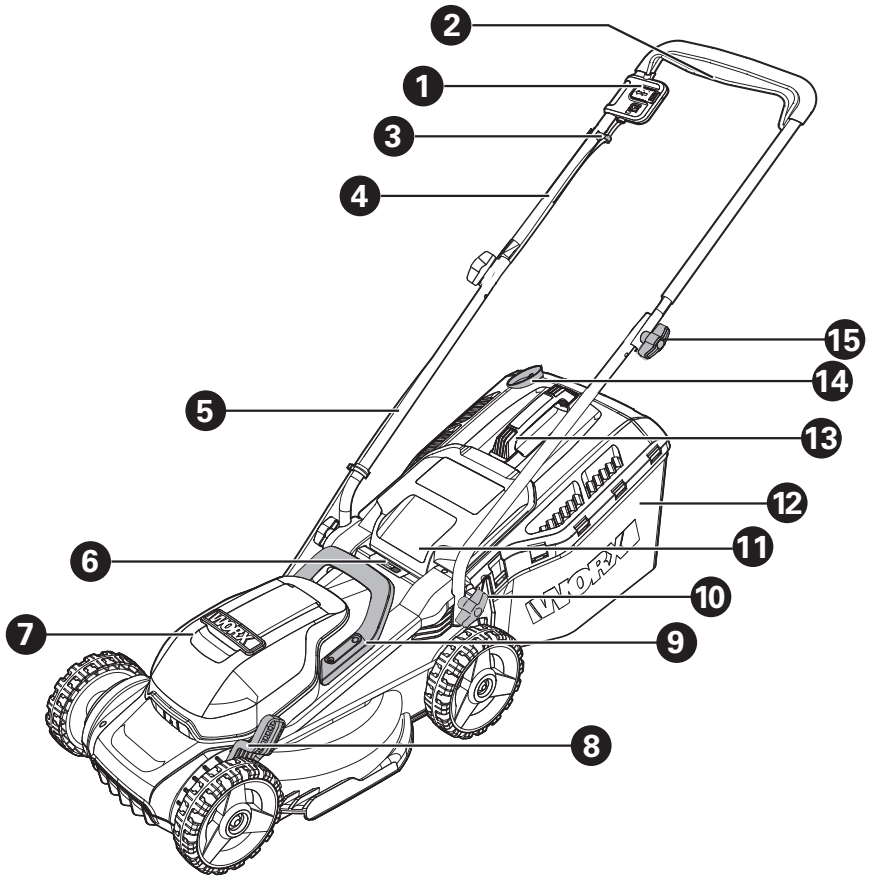
## SYMBOLS

	<p>Read instruction handbook before operation this machine</p>
	<p>Keep bystanders away</p>
	<p>Beware of sharp blades. Blades continue to rotate after the motor is switched off- Remove disabling device before maintenance.</p>
	<p>Batteries may enter water cycle if disposed improperly, which can be hazardous for ecosystem. Do not dispose of waste batteries as unsorted municipal waste.</p>
	<p>Do not burn</p>
	<p>Li-Ion battery This product has been marked with a symbol relating to 'separate collection' for all battery packs and battery pack. It will then be recycled or dismantled in order to reduce the impact on the environment. Battery packs can be hazardous for the environment and for human health since they contain hazardous substances.</p>
	<p>Li-Ion</p>
	<p>Wear protective gloves</p>

**Cordless Lawn Mower  
WG779E WG779E.X**

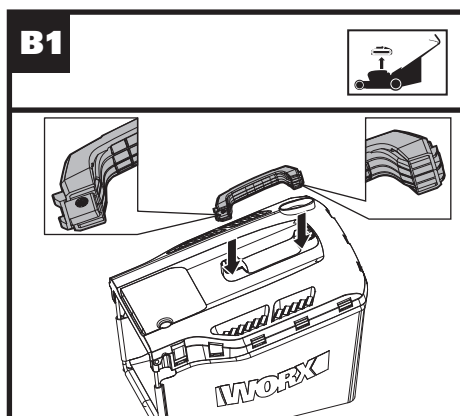
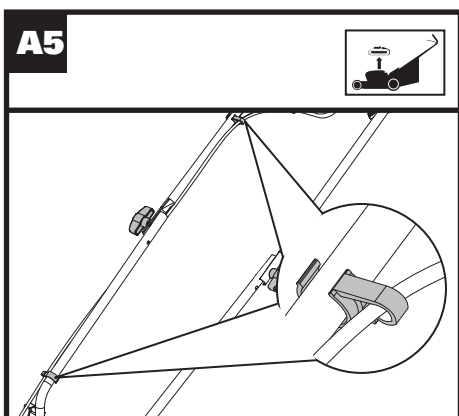
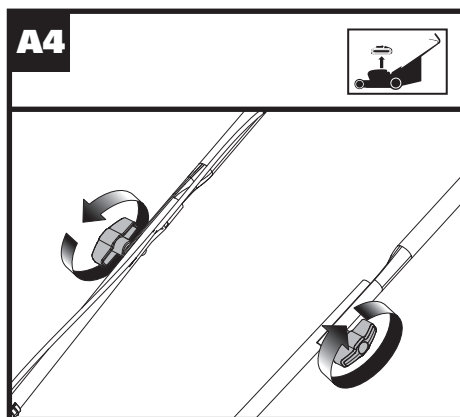
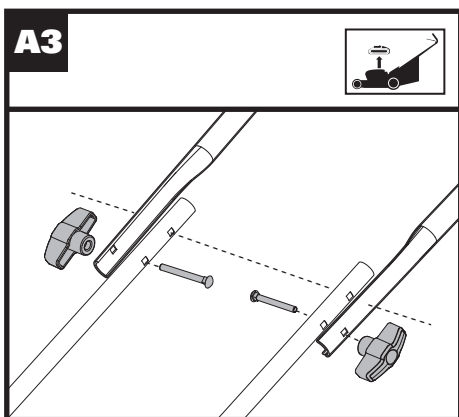
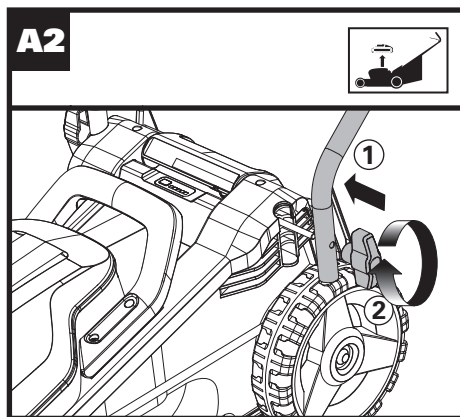
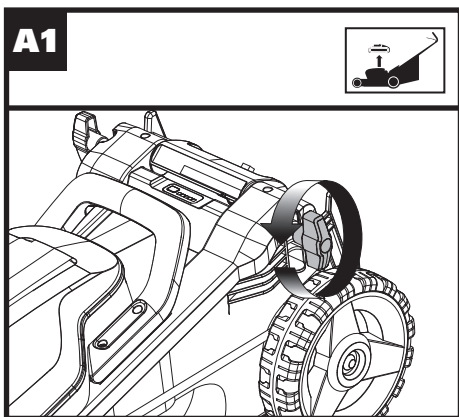
	<p>Remove battery from the socket before carrying out any adjustment, servicing or maintenance.</p>
	<p>Blade continues to rotate after the machine is switched off. Wait until all machine components have completely stopped before touching them</p>
	<p>Remove the key</p>
	<p>RCM marking</p>
	<p><b>ABN:</b> Australian Business Number. By this number, business information such as entity type, status, business location etc. can be found at website <a href="http://abr.business.gov.au">http://abr.business.gov.au</a>. ABN of Positec Australia Pty Limited is 14 101 682 357.</p>
	<p>Waste electrical products must not be disposed of with household waste. Please recycle where facilities exist. Check with your local authorities or retailer for recycling advice.</p>

# Cordless Lawn Mower WG779E WG779E.X

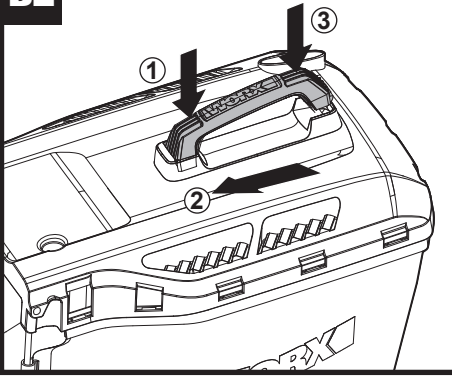
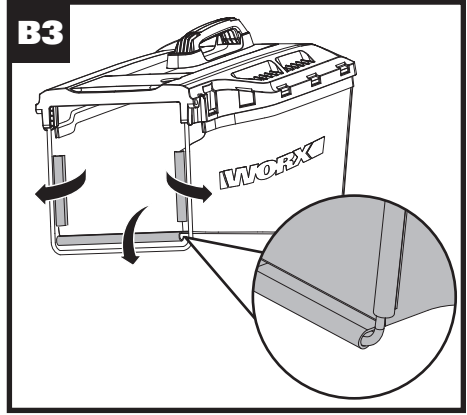
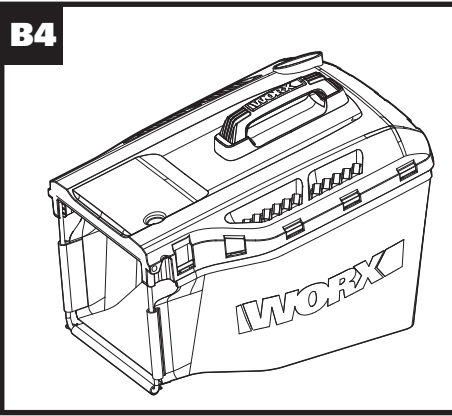
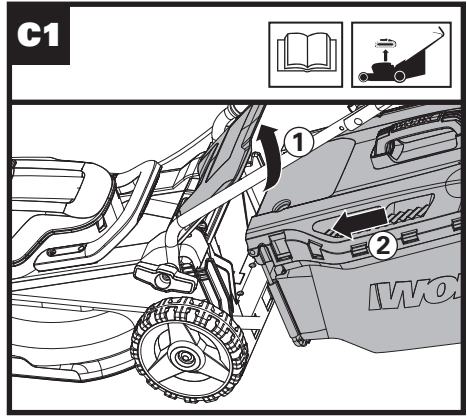
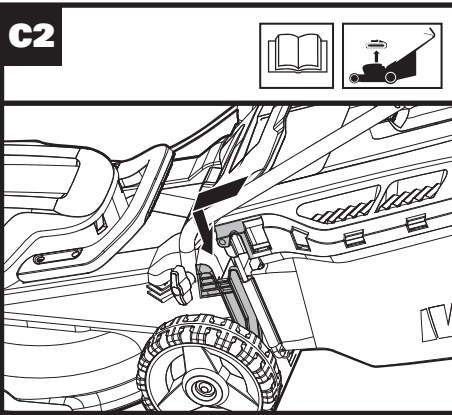
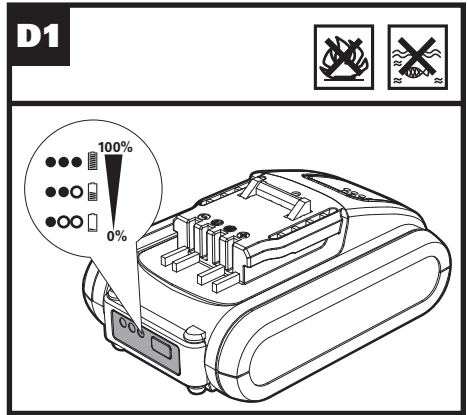


# Cordless Lawn Mower WG779E WG779E.X

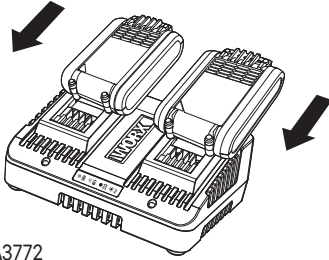




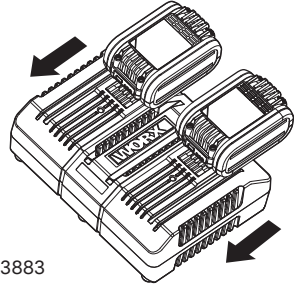
# Cordless Lawn Mower WG779E WG779E.X

**B2****B3****B4****C1****C2****D1**

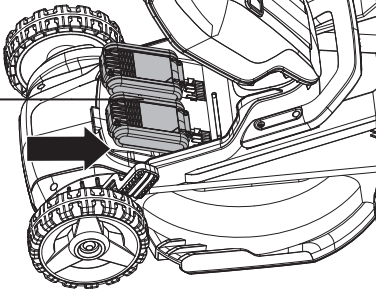
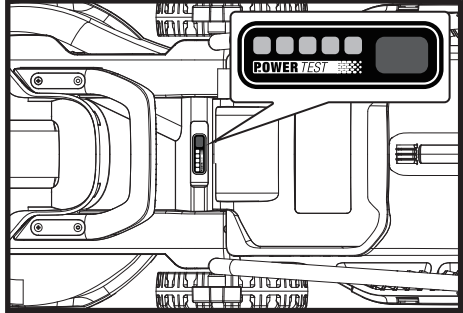
# Cordless Lawn Mower WG779E WG779E.X

**D2**

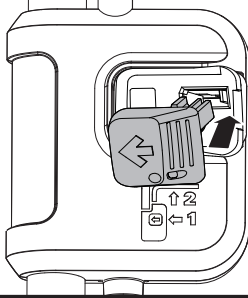
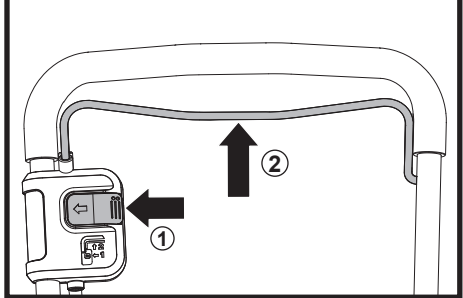
For WA3772

**D3**

For WA3883

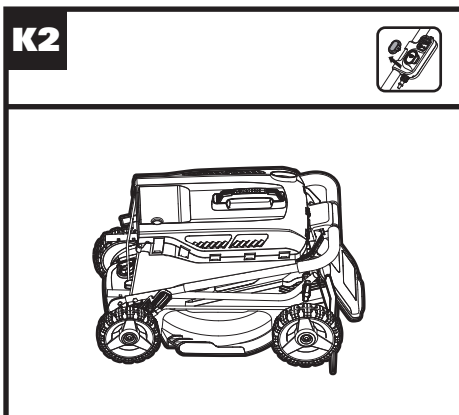
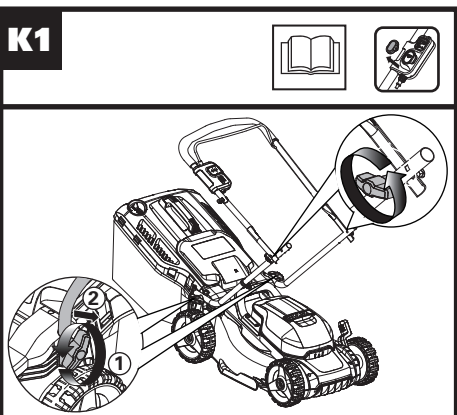
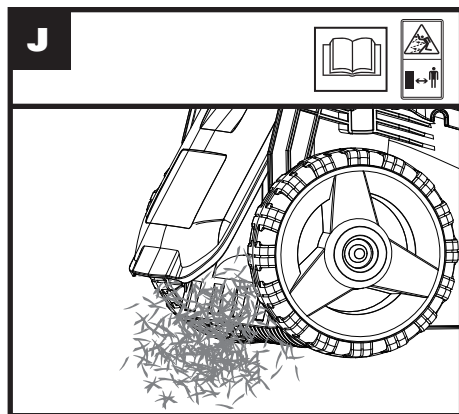
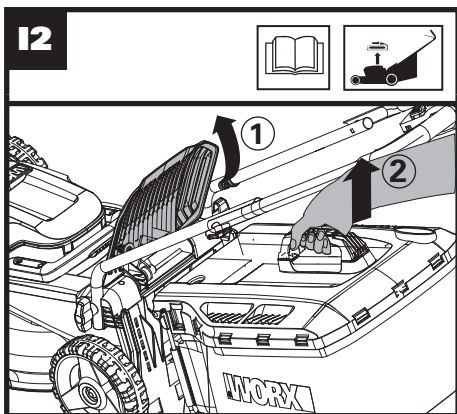
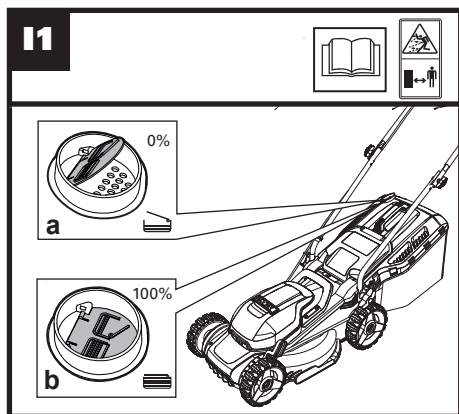
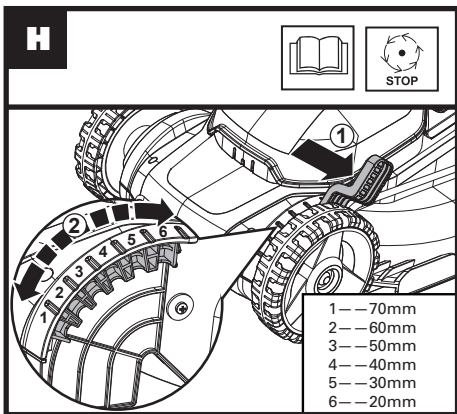
**E****16****F**

11

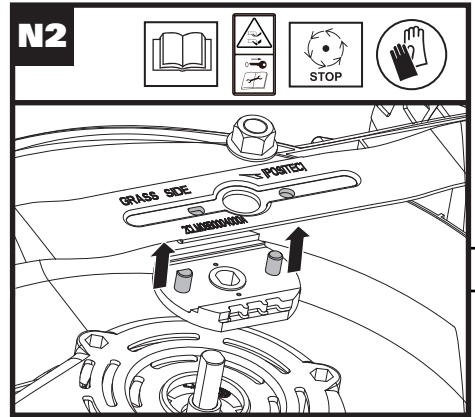
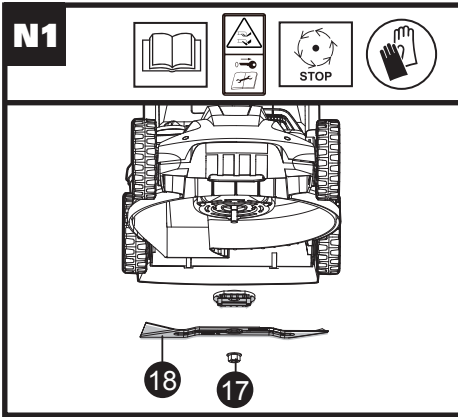
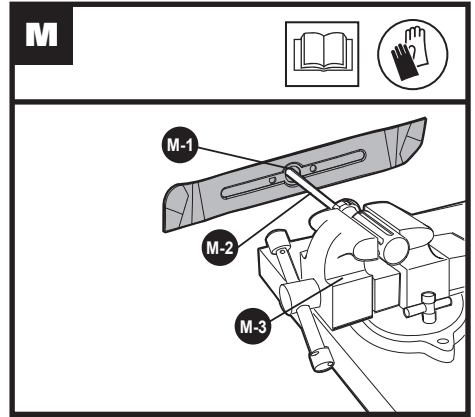
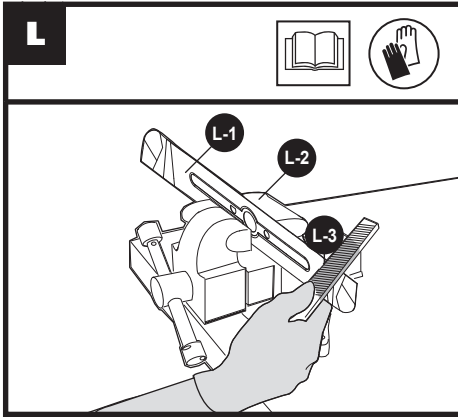
**G1****G2**

# Cordless Lawn Mower

## WG779E WG779E.X



# Cordless Lawn Mower WG779E WG779E.X



# Cordless Lawn Mower WG779E WG779E.X

# COMPONENT LIST

<b>1. SAFETY KEY</b>
<b>2. SWITCH LEVER</b>
<b>3. CABLE CLIP</b>
<b>4. UPPER HANDLE</b>
<b>5. LOWER HANDLE</b>
<b>6. BATTERY POWER INDICATOR</b>
<b>7. BATTERY PACK COVER</b>
<b>8. CUTTING HEIGHT ADJUSTMENT KNOB</b>
<b>9. CARRY HANDLE</b>
<b>10. HANDLE KNOB, LOWER</b>
<b>11. SAFETY FLAP</b>
<b>12. GRASS COLLECTION BAG</b>
<b>13. BAG HANDLE</b>
<b>14. GRASS BAG INDICATOR</b>
<b>15. HANDLE KNOB, UPPER</b>
<b>16. BATTERY PACK*(SEE FIG. E)</b>
<b>17. BLADE BOLT (SEE FIG. N1)</b>
<b>18. BLADE (SEE FIG. N1)</b>

**\*Not all the accessories illustrated or described are included in standard delivery.**

## TECHNICAL DATA

Type **WG779E WG779E.X (770-789 - designation of machinery, representative of Cordless Lawn Mower)**

	<b>WG779E WG779E.X**</b>
Rated voltage	40V $\overline{\text{---}}$ Max. (2x20V Max.)***
No load speed	3300 / 3500/min
Cutting diameter	34cm
Cutting height	20-70mm
Cutting height positions	6
Front wheel diameter	160mm
Rear wheel diameter	180mm
Grass collection capacity	30L

Battery type	Lithium-Ion
Machine Weight (bare tool)	10.4 kg

\*\* X=1-999, A-Z, M1-M9 there are only used for different customers, there are no safe relevant changes between these models.

\*\*\*Voltage measured without workload. Initial battery voltage reaches maximum of 20 volts. Nominal voltage is 18 volts.

Category	Type	Capacity
20V Battery	WA3551	2.0 Ah
	WA3572	2.5 Ah
	WA3553	4.0 Ah
	WA3014	4.0 Ah
20V Charger	WA3772	2.0 A
	WA3883	4.0 A

We recommend that you purchase your accessories from the same store that sold you the tool. Refer to the accessory packaging for further details. Store personnel can assist you and offer advice.

## NOISE DATA

A weighted sound pressure	$L_{pA}$ : 76.5dB(A) $K_{pA}$ : 3dB(A)
---------------------------	---

A weighted sound power	$L_{wA}$ : 87.76dB(A) $L_{wA}$ : 3dB(A)
------------------------	--

Wear ear protection.



## VIBRATION INFORMATION

Typical weighted vibration	$a_n$ =3.246m/s <sup>2</sup> uncertainty K=1.5m/s <sup>2</sup>
----------------------------	---



**WARNING:** The vibration emission value during actual use of the power tool can differ from the declared value depending on the ways in which the tool is used dependant on the following examples and other variations on how the tool is used:


How the tool is used and the materials being cut or drilled.

The tool being in good condition and well maintained  
Using the correct accessory for the tool and ensuring it is sharp and in good condition.

# Cordless Lawn Mower WG779E WG779E.X

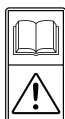
The tightness of the grip on the handles and if any anti vibration accessories are used.  
And the tool is being used as intended by its design and these instructions.

**This tool may cause hand-arm vibration syndrome if its use is not adequately managed**

 **WARNING:** To be accurate, an estimation of exposure level in the actual conditions of use should also take account of all parts of the operating cycle such as the times when the tool is switched off and when it is running idle but not actually doing the job. This may significantly reduce the exposure level over the total working period.

Helping to minimise your vibration exposure risk. ALWAYS use sharp chisels, drills and blades Maintain this tool in accordance with these instructions and keep well lubricated (where appropriate)  
If the tool is to be used regularly then invest in anti vibration accessories.  
Plan your work schedule to spread any high vibration tool use across a number of days.

**OPERATION INSTRUCTION**



**NOTE:** Read instruction handbook before operation this machine.

**INTENDED USE**

This product is intended for domestic lawn mowing.

**ASSEMBLY AND OPERATION**

ACTION	FIGURE
<b>ASSEMBLY</b>	
Assembling the handle bar <b>NOTE:</b> Choose one of the two holes in the lower handle for desired handle's height.	See Fig. A1, A2, A3, A4, A5
Assembling grass collection bag	See Fig. B1, B2, B3, B4
Fitting grass collection bag to the lawn mower <b>NOTE:</b> Depress the grass collection bag slightly to ensure that it is completely installed.	See Fig. C1, C2, C3
Checking the battery charge condition <b>NOTE:</b> Fig. D1 only applies for the battery pack with battery indicator light.	See Fig. D1

Charging the battery pack  
**NOTE:** The batteries are shipped uncharged. Each battery must be fully charged before the first mow. Always fully charge the two batteries at same time. More details can be found in charger's manual.

See Fig. D2, D3

Fitting/removing battery  
**NOTE: This machine will only run when 2 batteries are installed.**  
**Please always use two batteries with the same capacity and fully charge the two batteries.**  
**When you use two batteries with different power, the machine will only run to the lower common denominator.**


See Fig. E

**OPERATION**



Battery power indicator on the machine  
See details in BATTERY STATUS part  
**IMPORTANT**  
**When only one light is illuminated, at least one battery is depleted and needs to be charged, even though the mower may still be capable of cutting grass. Continuing to operate your lawnmower with the battery in this discharged condition may reduce the life and performance of your battery.**  
**When no light is illuminated, at least one battery is not fully installed or battery may be defective, please double check the batteries are fully seated into position.**

See Fig. F

Starting & stopping  
See Fig. G1, G2

Adjusting the Cutting Height  
 **WARNING!** Stop, release bail handle and wait until the motor stops before adjusting height. The blades continue to rotate after the machine is switched off, a rotating blade can cause injury. Do not touch rotating blades.


See Fig. H

Grass Bag Filling Indicator  
Empty status: flap floats (a)  
  
Fully status: flap falls down (b)  


See Fig. I1


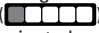
**Cordless Lawn Mower  
WG779E WG779E.X**



Removing/emptying grass collection bag  <b>WARNING!</b> Always check the safety flap close the discharge outlet before using. Never lift the safety flap when the lawn mower is being used without fitted grass collection bag.	See Fig. I2
Rear discharge	See Fig. J
STORAGE	See Fig. K1, K2

### BATTERY STATUS (See Fig. F)

Before starting or after use, press the button "POWERTEST" on the machine to check the battery capacity. During operation, the battery capacity will be indicated automatically by the battery power indicator. The indicator constantly senses and displays the battery condition as follows:

Battery power indicator status	Battery condition
Five green lights (  ) are illuminated.	The two batteries are in a highly charged condition.
Two, three or four green lights are illuminated.	The two batteries have a remaining charge. The more lights are illuminated, the more battery capacity.
Only one green light (  ) is illuminated.	At least one battery is almost depleted and needs to be charged.
No light is illuminated.	At least one battery is not fully installed or battery may be defective.
Only one light is flashing twice per cycle.	At least one battery is over discharged (please refer to the battery charge condition), please recharge the two batteries at once before use again or storage.
Only one light is flashing three times per cycle.	At least one battery is hot, wait for them cool down before start again.
Only one light is flashing four times per cycle.	The machine is over load. Raise the cutting height or push slowly.

### MOWING TIPS

**NOTE: ALWAYS INSPECT AREA WHERE MOWER IS TO BE USED AND REMOVE ALL STONES, STICKS, WIRE, METAL AND OTHER DEBRIS WHICH MIGHT BE THROWN BY THE ROTATING BLADE.**

1. Mow across the face of slopes, never up-and-down. Exercise extreme caution when changing direction on slopes. Do not mow excessively steep

2. Release bail handle to turn mower "OFF" when crossing any graveled area (stones can be thrown by the blade).
  3. Set mower at highest cutting height when mowing in rough ground or in tall weeds. Removing too much grass at one time can cause circuit breaker to trip, which stops mower.
  4. If a grass bag is used during the fast growing season, the grass may tend to clog up at the discharge opening. Release bail handle to turn mower "OFF" and remove the safety key. Remove the grass bag and shake the grass down to the back end of the bag. Also clean out any grass or debris which may be packed around the discharge opening. Replace the grass collection bag.
  5. If mower should start to vibrate abnormally, release bail handle to turn mower "OFF" and remove safety key. Check immediately for cause. Vibration is a warning of trouble. Do not operate mower until a service check has been made.
- 6. ALWAYS RELEASE BAIL HANDLE TO TURN MOWER "OFF" AND REMOVE SAFETY KEY WHEN LEAVING IT UNATTENDED EVEN FOR A SHORT PERIOD OF TIME.**

### CUTTING AREA

The cutting area can be affected by several factors, such as cutting height, lawn humidity, grass length and density. Besides, starting and stopping the mower too many times during operation will reduce the cutting area.

The table below gives the relationship between cutting conditions and cutting area.

Cutting conditions		Cutting area (maximum)		
Grass conditions	Cutting height	2.0 Ah battery	2.5 Ah battery	4.0 Ah battery
Very thin, dry grass	cut 7cm to 5cm	230m <sup>2</sup> *	280m <sup>2</sup> *	460m <sup>2</sup> *
Thin, dry grass	cut 7cm to 3cm	120m <sup>2</sup> *	140m <sup>2</sup> *	230m <sup>2</sup> *

\* Used with two fully charged battery packs.

### TIPS:

- 1) It is recommended to mow your lawn more frequently, walk at normal pace, and not to start/stop the mower too often during operation. Please always use the same two batteries and charge the two batteries at same time.
- 2) For best performance, please ensure use a fully charged battery pack and always cut off 1/3 or less of the grass height.
- 3) Walk slowly when cutting long grass, so as to have more effective cutting and properly discharge the clippings.
- 4) Avoid cutting wet grass, otherwise it will stick to the underside of the deck and the clippings cannot be collected or discharged properly.
- 5) A higher cutting height shall be applied to new or thick grass and it will extend the battery duration.

# Cordless Lawn Mower

## WG779E WG779E.X



## MAINTENANCE



**WARNING: Stop the mower and remove the safety key before removing the grass bag.**

**NOTE:** To ensure long and reliable service, perform the following maintenance procedures regularly. Check for obvious defects such as a loose, dislodged or a damaged blade, loose fittings, and worn or damaged components. Check that the covers and guards are all undamaged and are correctly attached to mower. Carry out any necessary maintenance or repairs before operating mower. If the mower should happen to fail despite regular maintenance, please call our customer helpline for advice.

### BLADE SHARPENING

KEEP BLADE SHARP FOR BEST MOWER PERFORMANCE.

WEAR PROPER EYE PROTECTION WHILE REMOVING, SHARPENING, AND INSTALLING BLADE. ENSURE THAT SAFETY KEY IS REMOVED.

Sharpening the blade twice during a mowing season is usually sufficient under normal circumstances. Sand causes the blade to dull quickly. If your lawn has sandy soil, more frequent sharpening may be required. REPLACE BENT OR DAMAGED BLADE IMMEDIATELY.

#### WHEN SHARPENING THE BLADE:

1. Make sure blade remains balanced.
2. Sharpen blade at the original cutting angle.
3. Sharpen cutting edges on both ends of blade, removing equal amounts of material from both ends.

**NOTE:** 1. Be sure the mower is turned off and remove the key.

2. Place the mower in stand up storage mode.

#### TO SHARPEN BLADE IN A VISE (SEE Fig. L)

1. Be sure the bail handle is released, the blade has stopped and the safety key removed before removing the blade.
2. Remove blade from mower. See instructions for removing and attaching blade.
3. Secure blade L-1 in a vise L-2.
4. Wear safety glasses and be careful not to cut yourself.
5. Carefully file the cutting edges of the blade with a fine tooth file L-3 or sharpening stone.
6. Check balance of blade. See instructions for blade balancing.
7. Replace blade on mower and tighten securely. Refer to instructions below.

#### BLADE BALANCING (SEE Fig. M)

Check balance of blade by placing center hole in blade M-1 over a nail or screwdriver shank M-2, clamped horizontally in a vise M-3. If either end of the blade rotates downward, file that end. Blade is properly balanced when neither end drops.

#### BLADE MAINTENANCE (See Fig. N1, N2)

Renew your metal blade after 50 hours mowing or 2 years, whichever is the sooner-regardless of condition.

Follow these procedures to remove and replace the blade. You will need garden gloves (not provided) and a spanner wrench (not provided) to remove the blade. Hold the blade (18) and unscrew the blade bolt (17) counter-clockwise using a spanner wrench, and then remove blade.

To re-assemble, position the blade (18) with the cutting edges towards the ground. Then securely tighten the blade bolt (17).

## STORAGE (See Fig. K1, K2)

Stop the mower and always remove the safety key. Clean the exterior of the machine thoroughly using a soft brush and cloth. Do not use water, solvents or polishes. Remove all grass and debris, especially from the ventilation slots.

Turn the machine on its side and clean the blade area. If grass cuttings are compacted in the blade area, remove with a wooden or plastic implement. Store the machine in a dry place. Do not place other objects on top of the machine.

To aid storage, release the handle knob, and fold the upper handle as shown in Fig. K1 & K2.

## ENVIRONMENTAL PROTECTION



Waste electrical products must not be disposed of with household waste. Please recycle where facilities exist. Check with your local authorities or retailer for recycling advice.

**Positec Australia Pty Limited**

**10 Corporate Blvd Bayswater, VIC 3153, Australia**

# TROUBLESHOOTING

<b>Problem</b>	<b>Solution</b>
1. Mower doesn't run when bail handle is activated.	A. Check to make sure safety key has been installed and is fully seated and that button on switch housing is being completely pushed. B. Release bail handle to turn mower off. Remove safety key, turn mower over and check that blade is free to turn. If not free, return to an authorized servicer. Blade should turn freely. C. Has battery been fully charged? Plug in charger and wait for green light to come on.
2. Motor stops while mowing.	A. Release bail handle to turn mower off. Remove safety key, turn mower over and check that blade is free to turn. If not free, return to an authorized servicer. Blade should turn freely. B. Raise cutting height of wheels to highest position and start mower. C. Has battery been fully charged? Plug in charger and wait for green light to come on. D. Avoid overloading the mower. Slow down the cutting pace by pushing mower slower or raise the cut height. Or both.
3. Mower runs but cutting performance is unsatisfactory, or does not cut entire lawn.	A. Has battery been fully charged? Plug in charger and wait for green light to come on. B. Release bail handle to turn mower off. Remove safety key. Turn mower over and check: Blade for sharpness - Keep blade sharp. Deck and discharge chute for clogging. C. Wheel height adjustment may be set too low for grass condition. Raise cutting height.
4. Mower is too hard to push.	A. Raise cutting height to reduce deck drag on grass. Check each wheel for free rotation.
5. Mower is abnormally noisy and vibrates.	A. Release bail handle to turn mower off. Remove safety key. Turn mower on side and check blade to ensure it has not been bent or damaged. If blade is damaged, replace with a replacement blade. If the underside of the deck is damaged return mower to an Authorized service center. B. If there is no visible damage to the blade and the mower still vibrates: Release bail handle to turn mower off, remove safety key and remove blade. Rotate blade 180 degrees and retighten. If mower still vibrates, return the mower to an authorized service center.
6. Battery charger LED's not on.	A. Check plug connection. B. Replace charger.
7. Battery charger LED does not flip to green.	A. Battery needs to be diagnosed. Take to authorized service center.
8. Mower not picking up clippings with the Grass Collection Bag.	A. Remove mulch plate when bagging. B. Chute clogged. Release bail handle to turn mower off. Remove safety key. Clear chute of grass clippings. C. Too much cut grass. Raise cutting height of wheels to shorten length of the cut. D. Bag full. Empty bag more often.
9. When mulching there are clippings visible.	A. Too much cut grass. Raise cutting height of wheels to shorten length of the cut. Do not cut off more than 1/3 of total length. B. Check blade for sharpness. Always keep blade sharp.
10. Low or diminished run-time after many uses.	A. Return to Authorized Service location - may need new battery.
11. The battery charger LED flashes red and the battery can't be charged.	A. The battery overheats after continuous use. Remove battery from the charger and allow it to cool to 42°C or less.

# DECLARATION OF CONFORMITY

We,  
Positec Germany GmbH  
Postfach 32 02 16, 50796 Cologne, Germany

On behalf of Positec declare that the product  
Description: **Worx Cordless Lawn Mower**  
Type: **WG779E WG779E.X (770-789 -**  
**designation of machinery, representative of**  
**Cordless Lawn Mower)**  
Function: **Mowing grass**

Complies with the following Directives,  
**2006/42/EC**  
**2014/30/EU,**  
**2011/65/EU&(EU)2015/863**  
**2000/14/EC amended by 2005/88/EC**

**2000/14/EC amended by 2005/88/EC**  
Conformity assessment procedure as per  
**Annex VI**  
Measured Sound Power Level **87.76dB(A)**  
Declared Guaranteed Sound Power Level  
**90dB(A)**

The notified body involved  
**Name: Intertek Testing & Certification Ltd**  
**(notified body 0359)**  
**Address: Davy Avenue, Knowlhill, Milton**  
**Keynes, MK5 8NL**

Standards conform to,  
**EN 60335-1**  
**EN 60335-2-77**  
**EN 62233**  
**EN ISO 3744**  
**EN 55014-1**  
**EN 55014-2**

The person authorized to compile the technical file,  
**Name: Marcel Filz**  
**Address: Positec Germany GmbH**  
**Postfach 32 02 16, 50796 Cologne, Germany**



2022/01/19  
Allen Ding  
Deputy Chief Engineer, Testing & Certification  
Positec Technology (China) Co., Ltd.  
18, Dongwang Road, Suzhou Industrial  
Park, Jiangsu 215123, P. R. China

# DECLARATION OF CONFORMITY

We,

Positec (UK & Ireland) Ltd.,  
PO Box 6242, Newbury, RG14 9LT, UK

On behalf of Positec declare that the product

Description: **Worx Cordless Lawn Mower**

Type: **WG779E WG779E.X (770-789 - designation of machinery, representative of Cordless Lawn Mower)**

Function: **Mowing grass**

Complies with the following regulations,

**Supply of Machinery (Safety) Regulations 2008**

**Electromagnetic Compatibility Regulations**

**2016**

**The Restriction of the Use of Certain Hazardous Substances in Electrical and Electronic Equipment Regulations**

**Noise Emission in the Environment by Equipment for Use Outdoors Regulations**

Conformity assessment procedure as per **SCHEDULE 9**

Measured Sound Power Level

**87.76dB(A)**

Declared Guaranteed Sound Power Level

**90dB(A)**

The notified body involved

**Name: Intertek Testing and Certification Ltd**

**Address: Academy Place, 1-9 Brook Street, Brentwood, Essex, CM14 5NQ, United Kingdom**

Standards conform to,

**BS EN 60335-1, BS EN 60335-2-77,**

**BS EN 62233, BS EN ISO 3744,**

**BS EN 55014-1, BS EN 55014-2**

The person authorized to compile the technical file,

**Name: Jim Kirkwood**

**Address: Positec (UK & Ireland) Ltd., PO Box 6242, Newbury, RG14 9LT, UK**



2022/01/19

Allen Ding

Deputy Chief Engineer, Testing & Certification

Positec Technology (China) Co., Ltd.

18, Dongwang Road, Suzhou Industrial

Park, Jiangsu 215123, P. R. China

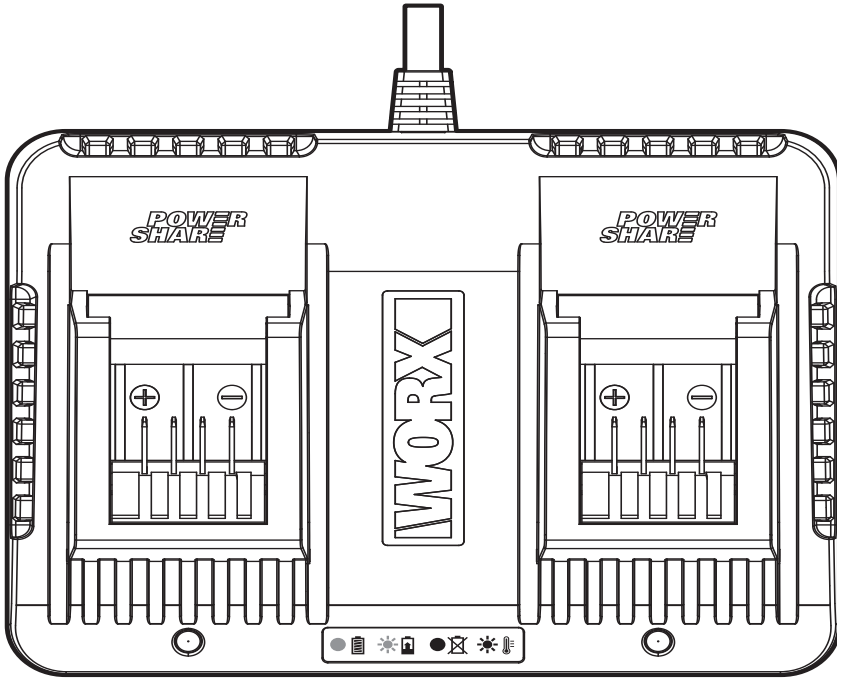


[www.worx.com](http://www.worx.com)

Copyright © 2022 Positec. All Rights Reserved.  
AR01336507

# Cordless Lawn Mower WG779E WG779E.X

# WORX



## SAFETY AND OPERATING MANUAL ORIGINAL INSTRUCTIONS

**Dual Port Battery Charger**

**WA3772**



## **PRODUCT SAFETY GENERAL SAFETY WARNINGS**

**⚠ WARNING Read all safety warnings and all instructions.** Failure to follow the warnings and instructions may result in electric shock, fire and/or serious injury.

### **Save all warnings and instructions for future reference.**

This appliance can be used by children aged from 8 years and above and persons with reduced physical, sensory or mental capabilities or lack of experience and knowledge if they have been given supervision or instruction concerning use of the appliance in a safe way and understand the hazards involved. Children shall not play with the appliance. Cleaning and user maintenance shall not be made by children without supervision.

- This appliance is not intended for use by persons (including children) with reduced physical, sensory or mental capabilities, or lack of experience and

knowledge, unless they have been given supervision or instruction concerning use of the appliance by a person responsible for their safety.

- Children should be supervised to ensure that they do not play with the appliance. If the supply cord is damaged, it must be replaced by the manufacturer, its service agent or similarly qualified persons in order to avoid a hazard.

### **ADDITIONAL SAFETY INSTRUCTIONS FOR YOUR BATTERY CHARGER**

1. Before charging, read the instructions.
2. Do not charge a leaking battery.
3. Do not use chargers for works other than those for which they are designed.
4. Before charging, ensure your charger is matching the local AC supply.
5. For indoor use, or do not expose to rain.
6. The charging device must be protected from moisture.
7. Do not use the charging device outdoors.
8. Do not short out the contacts of battery or

charger.





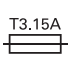




9. Respect the polarity "+/-" when charging.
10. Do not open the unit and keep it out of the reach of children.
11. Do not charge the batteries of other manufactures or ill-suited models.
12. Ensure that the connection between the battery charger and battery is correctly positioned and is not obstructed by foreign bodies.
13. Keep battery charger's slots free of foreign objects and protect against dirt and humidity. Store in a dry and frost-free place.
14. When charging batteries, ensure that the battery charger is in a well-ventilated area and away from inflammable materials. Batteries can get hot during charging. Do not overcharge any batteries. Ensure that batteries and chargers are not left unsupervised during charging.
15. Do not recharge non-rechargeable batteries, as they can overheat and break.
16. Longer life and better performance can be

obtained if the battery pack is charged when the air temperature is between 18°C and 24°C. Do not charge the battery pack in air temperatures below 0°C, or above 40°C. This is important as it can prevent serious damage to the battery pack.

17. Charge only battery pack of the same model provided by Worx and of models recommended by Worx.
18. For charge Li-ion battery pack only.

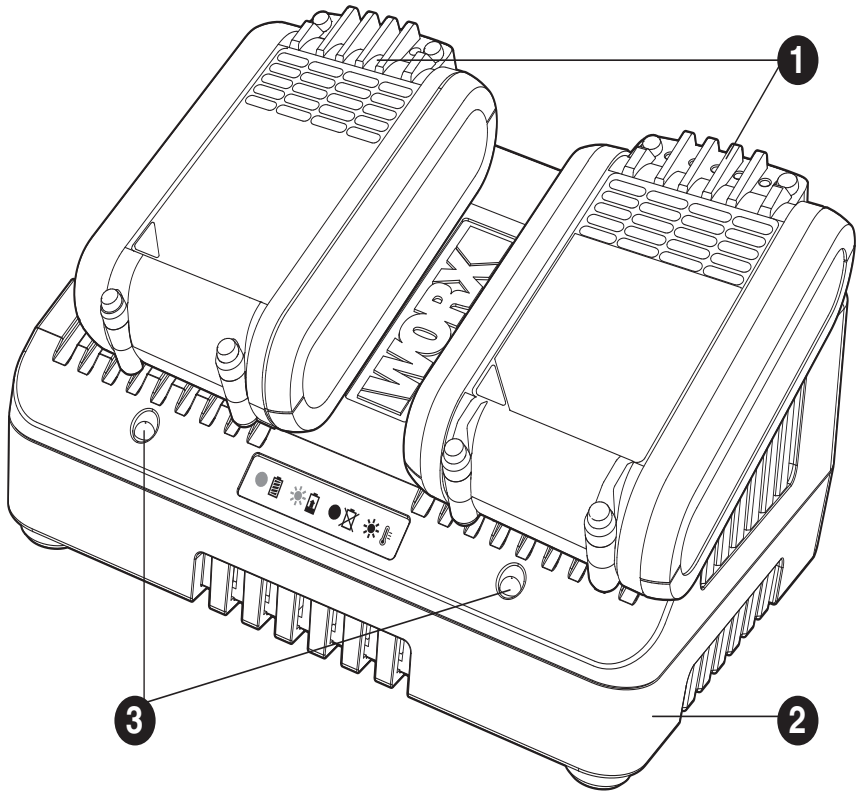


## SYMBOLS

	Read the operator's manual.
	Warning
	For indoor use only
	Double insulation
	Fuse
	Positive terminal
	Negative terminal
	Waste electrical products must not be disposed of with household waste. Please recycle where facilities exist. Check with your local authorities or retailer for recycling advice.
	RCM marking

**ABN:** Australian Business Number. By this number, business information such as entity type, status, business location etc. can be found at website <http://abr.business.gov.au>.

ABN of Positec Australia Pty Limited is 14 101 682 357



### 1. BATTERY PACK\*



### 2. CHARGER

### 3. CHARGE INDICATOR LIGHT

**\*Not all the accessories illustrated or described are included in standard delivery.**

We recommend that you purchase your accessories listed in the above list from the same store that sold you the battery charger. Refer to the accessory packaging for further details. Store personnel can assist you and offer advice.

## TECHNICAL DATA

Rated input voltage	100-240V~50-60Hz	
Output voltage	20V 	
Charging current	2A	
Rated input power	50W	
Charge battery	Li-Ion	
Charging time (approx.)		
Battery pack	2.0Ah(1pc)	Approx. 65mins
	2.0Ah(2pcs)	Approx. 130mins
	4.0Ah(1pc)	Approx. 130mins
	4.0Ah(2pcs)	Approx. 260mins
Protection class	 /II	
Machine weight	0.5kg	

For the technical data of the types, the number of cells and the rated capacity of the batteries that can be charged, please refer the nameplate of the battery pack supplied by Worx.

## CHARGING PROCEDURE



**NOTE:** Before using the tool, read the instruction book carefully.

### CHARGING INSTRUCTIONS

#### 1. CHARGING YOUR BATTERY PACK

The charger is designed to charge two battery packs at the same time as well as charge one by one.



**WARNING:** The charger and battery pack are specifically designed to work together so do not attempt to use any other devices. Never insert or allow metallic objects into your charger or battery pack connections because an electrical failure and hazard will occur.

#### 2. BEFORE USING YOUR CORDLESS TOOL

Your battery pack is UNCHARGED and you must charge once before use.

#### 3. HOW TO CHARGE YOUR BATTERY CHARGING PROCEDURE





- 1) Plug the charger into an appropriate outlet.
- 2) Slide one battery pack or two battery packs into the charger. Normally, the relevant charge indicator light (3) will flash in green color showing the battery is being charged.









**WARNING:** When battery charge runs out after continuous use or exposure to direct sunlight or heat, allow time for the battery to cool down before re-charging to achieve the full charge.

#### CHARGING INDICATOR

This charger is designed to detect some problems that can arise with battery packs. Indicator lights indicate problems (see table below). If this occurs, insert a new battery pack to determine if the charger is OK. If the new battery charges correctly, then the original pack is defective and should be returned to a service center or recycling service center. If the new battery pack displays the same problem as the original Battery Pack, have the charger tested at an authorized service center.

Light	ON/ Flash	Status
Red on 		Defective Battery
Red flash 		Battery Temperature Protection The temperature of battery pack is less than 0°C or more than 45°C.

Green on  		Fully Charged
Green flash  		Charging

### BATTERY TEMPERATURE PROTECTION

This charger has a battery temperature protection feature. When the charger detects a battery pack that is too hot or cold (the light will be red and flash), it automatically activates the protection circuit, and suspends charging until the battery pack has reached the correct temperature. The charging process will then automatically begin (the light will be green and flash). This feature ensures maximum battery life.

### LEAVING THE BATTERY PACK IN THE CHARGER

If a fully charged battery pack is left in the charger, the Light will remain green. The battery pack will remain charging with a maintenance trickle current.

### DEFECTIVE BATTERY PACKS

This charger will detect a defective battery pack. When a defective battery pack is inserted into the charger, the charger will try to repair it. This process will last about 30mins (the light will be green and flash). If the repair is successful, the charger will automatically begin to charge the battery pack to the highest capacity possible (the light will be green and flash). If the light becomes solid red, the battery pack is dead.

**NOTE:** Repaired battery packs are still usable but should not be expected to perform as much work as new battery packs.

### IMPORTANT CHARGING NOTES:

- For a new battery or a battery that has been in storage for sometime, please recharge the battery before use. If you want to store the battery for a long time, please fully charge the battery pack to ensure maximum battery life.
- Longer life and better performance can be obtained if the battery pack is charged when the air temperature is between (18°-24°C). Do not charge the battery pack in air temperatures below 0° C, or above 40° C. This is important as it can prevent serious damage to the battery pack.
- Never freeze your charger or immerse charger in water or any other liquid.
- When the battery pack fails to produce sufficient power on jobs that were previously done easily, please recharge your battery, do not continue to use under this condition. You may charge a partially used pack whenever you desire with no adverse affect on the battery pack.
- When charging it is normal that the charger and battery pack may become warm to touch.

- If the battery pack does not charge properly:
  - Check current at power outlet by plugging in another appliance.
  - Plug and unplug to check whether the charger is ok
  - Check whether the battery has been damaged
  - Move the charger and battery pack to a location where the surrounding air temperature is approximately 18°-24° C.
- If the charging problem persists, take the tool, battery pack and charger to an authorized service center.
- Under certain conditions, when the charger is plugged into the power supply, the exposed charging contacts inside the charger can be shorted by foreign material. Foreign materials of a conductive nature such as metallic particles should be kept away from charger cavities. Always unplug the charger from the power supply when there is no battery pack in the charger or before attempting to clean.

## PROBLEM SOLUTION

### I CANNOT FIT THE BATTERY INTO THE BATTERY CHARGER. WHY?

- Check if the charger and the battery pack are specifically designed for working together.
- The battery can be inserted into the charger only in one direction. Turn the battery around until it can be inserted into the slot, the indicator light should be green and flash when the battery is charging.

### REASONS FOR DIFFERENT CHARGING TIMES

The charging time can be affected by many reasons which are not defects in your product.

- If the battery pack is only partly discharged it may be re-charged in less than rated charging time.
- If the battery pack and ambient temperature are very cold/ hot, it may take longer to re-charge. Please find an appropriate environment with proper air temperature to start charging.
- If the battery pack is very hot, remove battery pack from the charger and allow battery pack to cool first to ambient temperature and then recharging can be started.

## MAINTENANCE

### Remove the plug from the socket before carrying out any adjustment, servicing or maintenance.

Your battery charger requires no additional lubrication or maintenance. Never use water or chemical cleaners to clean your charger. Wipe clean with a dry cloth. Always store your charger in a dry place.

If the supply cord is damaged, it must be replaced by the manufacturer, its service agent or similarly qualified persons in order to avoid a hazard.

## ENVIRONMENTAL PROTECTION



Waste electrical products must not be disposed of with household waste. Please recycle where facilities exist. Check with your local authorities or retailer for recycling advice.

**Positec Australia Pty Limited**  
10 Corporate Blvd Bayswater, VIC 3153, Australia

## PLUG REPLACEMENT (ONLY FOR REWIRABLE PLUG OF UK & IRELAND)

If you need to replace the fitted plug then follow the instructions below.

### IMPORTANT

The wires in the mains lead are colored in accordance with the following code:

**Blue = Neutral**

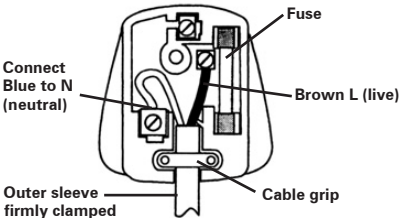
**Brown = Live**

As the colors of the wires in the mains lead of this appliance may not correspond with the colored markings identifying the terminals in your plug, proceed as follows. The wire which is colored blue must be connected to the terminal which is marked with N. The wire which is colored brown must be connected to the terminal which is marked with L.



**WARNING!** Never connect live or neutral wires to the earth terminal of the plug. Only fit an approved BS1363/A plug and the correct rated current fuse which is used in the plug.

**NOTE:** If a moulded plug is fitted and has to be removed take great care in disposing of the plug and severed cable, it must be destroyed to prevent engaging into a socket.



## DECLARATION OF CONFORMITY

We,  
Positec Germany GmbH  
Postfach 32 02 16, 50796 Cologne, Germany

On behalf of Positec declare that the product  
Description **Worx Battery Charger**  
Type **WA3772**

Complies with the following Directives,  
**2014/35/EU**  
**2014/30/EU**  
**2011/65/EU&(EU)2015/863**

Standards conform to

**EN 60335-1**

**EN 60335-2-29**

**EN 62233**

**EN 55014-1**

**EN 55014-2**

**EN IEC 61000-3-2**

**EN 61000-3-3,**



2022/01/18  
Allen Ding  
Deputy Chief Engineer, Testing & Certification  
Positec Technology (China) Co., Ltd  
18, Dongwang Road, Suzhou Industrial  
Park, Jiangsu 215123, P. R. China

# Dual Port Battery Charger

# WA3772

# DECLARATION OF CONFORMITY

We,  
Positec (UK & Ireland) Ltd.  
PO Box 6242, Newbury, RG14 9LT, UK

On behalf of Positec declare that the product  
Description **Worx Battery Charger**  
Type **WA3772**

Complies with the following regulations,  
**Electrical Equipment (Safety) Regulations 2016**  
**Electromagnetic Compatibility Regulations 2016**  
**The Restriction of the Use of Certain Hazardous Substances in Electrical and Electronic Equipment Regulations**

Standards conform to  
**BS EN 60335-1, BS EN 60335-2-29, BS EN 62233, BS EN 55014-1, BS EN 55014-2, BS EN IEC 61000-3-2, BS EN 61000-3-3,**



2022/01/18  
Allen Ding  
Deputy Chief Engineer, Testing & Certification  
Positec Technology (China) Co., Ltd  
18, Dongwang Road, Suzhou Industrial  
Park, Jiangsu 215123, P. R. China

**Dual Port Battery Charger**

**WA3772**





### **After-sales Service and Application**

At [www.worx.com](http://www.worx.com) you can order spare parts or arrange the collection of a product in need of servicing or repair.

Tel. Service: 0345 202 9679

E-Mail: [customerservices@worxtools.com](mailto:customerservices@worxtools.com)

**[www.worx.com](http://www.worx.com)**

Copyright © 2022, Positec. All Rights Reserved.

AR01497002