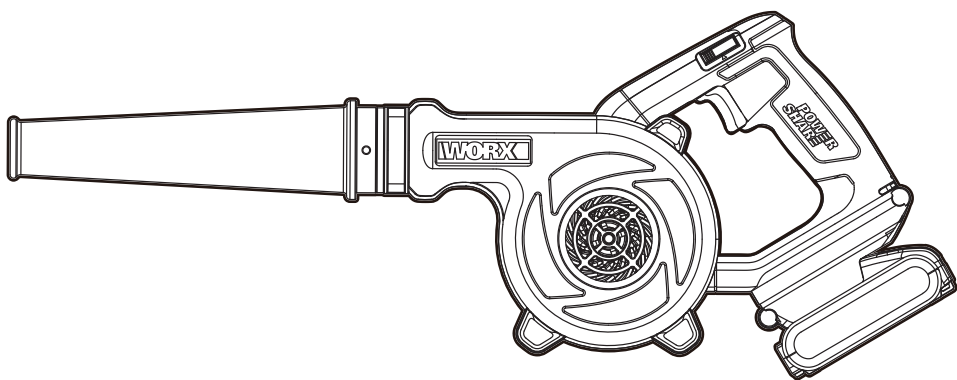


WORX



SAFETY AND OPERATING MANUAL

3-speed Workshop Blower

**WX094
WX094.X**



GENERAL POWER TOOL SAFETY WARNINGS

⚠ WARNING Read all safety warnings and all instructions. Failure to follow the warnings and instructions may result in electric shock, fire and/or serious injury.

Save all warnings and instructions for future reference.

The term "power tool" in the warnings refers to your mains-operated (corded) power tool or battery-operated (cordless) power tool.

1) Work area safety

- a) **Keep work area clean and well lit.** Cluttered or dark areas invite accidents.
- b) **Do not operate power tools in explosive atmospheres, such as in the presence of flammable liquids, gases or dust.** Power tools create sparks which may ignite the dust or fumes.
- c) **Keep children and bystanders away while operating a power tool.** Distractions can cause you to lose control.

2) Electrical safety

- a) **Power tool plugs must match the outlet.** Never modify the plug in any way. Do not use any adapter plugs with earthed (grounded) power tools. Unmodified plugs and matching outlets will reduce risk of electric shock.
- b) **Avoid body contact with earthed or grounded surfaces, such as pipes, radiators, ranges and refrigerators.** There is an increased risk of electric shock if your body is earthed or grounded.
- c) **Do not expose power tools to rain or wet conditions.** Water entering a power tool will increase the risk of electric shock.
- d) **Do not abuse the cord. Never use the cord for carrying, pulling or unplugging the power tool. Keep cord away from heat, oil, sharp edges or moving parts.** Damaged or entangled cords increase the risk of electric shock.
- e) **When operating a power tool outdoors, use an extension cord suitable for outdoor use.** Use of a cord suitable for outdoor use reduces the risk of electric shock.
- f) **If operating a power tool in a damp location is unavoidable, use a residual current device (RCD) protected supply.** Use of an RCD reduces the risk of electric shock.

3) Personal safety

- a) **Stay alert, watch what you are doing and use common sense when operating a power tool. Do not use a power tool while you are tired or under the influence of drugs, alcohol or medication.** A moment of inattention while operating power tools may result in serious

personal injury.

- b) **Use personal protective equipment. Always wear eye protection.** Protective equipment such as dust mask, non-skid safety shoes, hard hat, or hearing protection used for appropriate conditions will reduce personal injuries.
 - c) **Prevent unintentional starting. Ensure the switch is in the off-position before connecting to power source and/or battery pack, picking up or carrying the tool.** Carrying power tools with your finger on the switch or energising power tools that have the switch on invites accidents.
 - d) **Remove any adjusting key or wrench before turning the power tool on.** A wrench or a key left attached to a rotating part of the power tool may result in personal injury.
 - e) **Do not overreach. Keep proper footing and balance at all times.** This enables better control of the power tool in unexpected situations.
 - f) **Dress properly. Do not wear loose clothing or jewellery. Keep your hair, clothing and gloves away from moving parts.** Loose clothes, jewellery or long hair can be caught in moving parts.
 - g) **If devices are provided for the connection of dust extraction and collection facilities, ensure these are connected and properly used.** Use of these devices can reduce dust-related hazards.
- ## 4) Power tool use and care
- a) **Do not force the power tool. Use the correct power tool for your application.** The correct power tool will do the job better and safer at the rate for which it was designed.
 - b) **Do not use the power tool if the switch does not turn it on and off.** Any power tool that cannot be controlled with the switch is dangerous and must be repaired.
 - c) **Disconnect the plug from the power source and/or the battery pack from the power tool before making any adjustments, changing accessories, or storing power tools.** Such preventive safety measures reduce the risk of starting the power tool accidentally.
 - d) **Store idle power tools out of the reach of children and do not allow persons unfamiliar with the power tool or these instructions to operate the power tool.** Power tools are dangerous in the hands of untrained users.
 - e) **Maintain power tools. Check for misalignment or binding of moving parts, breakage of parts and any other condition that may affect the power tool's operation. If damaged, have the power tool repaired before use.** Many accidents are caused by poorly maintained power tools.
 - f) **Keep cutting tools sharp and clean.** Properly maintained cutting tools with sharp cutting

edges are less likely to bind and are easier to control.

- g) Use the power tool, accessories and tool bits etc. in accordance with these instructions, taking into account the working conditions and the work to be performed.** Use of the power tool for operations different from those intended could result in a hazardous situation.


5) Battery tool use and care

- a) Recharge only with the charger specified by the manufacturer.** A charger that is suitable for one type of battery pack may create a risk of fire when used with another battery pack.
- b) Use power tools only with specifically designated battery packs.** Use of any other battery packs may create a risk of injury and fire.
- c) When battery pack is not in use, keep it away from other metal objects, like paper clips, coins, keys, nails, screws or other small metal objects, that can make a connection from one terminal to another.** Shorting the battery terminals together may cause burns or a fire.
- d) Under abusive conditions, liquid may be ejected from the battery; avoid contact. If contact accidentally occurs, flush with water. If liquid contacts eyes, additionally seek medical help.** Liquid ejected from the battery may cause irritation or burns.

6) Service

- a) Have your power tool serviced by a qualified repair person using only identical replacement parts.** This will ensure that the safety of the power tool is maintained.

ADDITIONAL SAFETY WARNINGS FOR CORDLESS BLOWER

 **WARNING** Read all safety warnings and all instructions. Failure to follow the warnings and instructions may result in electric shock, fire and/or serious injury.

Save all warnings and instructions for future reference.


- This appliance is not intended for use by persons (including children) with reduced physical, sensory or mental capabilities, or lack of experience and knowledge, unless they have been given supervision or instruction concerning use of the appliance by a person responsible for their safety.
- Children should be supervised to ensure that they do not play with the appliance.

Intended purpose

The device is designed only for the blowing of dry leaves in private households and as a hobby device in the garden. Any other utilization, which is not explicitly approved in these directions, can lead to damage to the device and represent a serious danger to the user.

- The device is designed for use by adults. Young people over 16 years may use the device under supervision only.
- The use of the device in the rain or in a humid environment is forbidden.
- The manufacturer is not liable for damage which is caused through inappropriate use or incorrect operation.

NOTE: Do not employ and low power machines for heavy work. DO NOT use your device for purposes for which it has not been designed.

 **WARNING!** To reduce the risk of injury, user must read and understand instruction manual.

1) Training

- Read the instructions carefully. Be familiar with the controls and the proper use of the appliance;
- Never allow children to use the appliance.
- Never allow people unfamiliar with these instructions to use the appliance. Local regulations may restrict the age of the operator;
- Never operate the appliance while people, especially children, or pets are nearby;
- The operator or user is responsible for accidents or hazards occurring to other people or their property.

2) Preparation

- While operating the appliance, always wear substantial footwear and long trousers. Do not operate the equipment when barefoot or wearing open sandals;
- Do not wear loose clothing or jewellery that can be drawn into the air inlet. Keep long hair away from the air inlets.
- Wear protective goggles while operating
- To prevent dust irritation the wearing of a face mask is recommended
- Never operate the appliance with defective guards or shields, or without safety devices

3) Operation

- Take off the battery from the appliance,
 - when not in use;
 - before clearing a blockage;
 - before checking, cleaning or working on the appliance;
 - if the appliance starts to vibrate abnormally.
- Operate the appliance only in daylight or in good artificial light.
- Do not overreach and keep your balance at all

times.

- d) Always be sure of your footing on slopes.
- e) Walk, never run;
- f) Keep all cooling air inlets clear of debris.
- g) Never blow debris in the direction of bystanders.
- h) Do not put hands or feet near or under rotating parts.

4) Maintenance and storage

- a) Keep all nuts, bolts and screws tight to be sure the appliance is in safe working condition;
- b) Replace worn or damaged parts.
- c) Use only genuine replacement parts and accessories.
- d) Store the appliance only in a dry place.







SAFETY WARNINGS FOR BATTERY PACK


- a) **Do not dismantle, open or shred cells or battery pack.**
- b) **Do not short-circuit a battery pack. Do not store battery packs haphazardly in a box or drawer where they may short-circuit each other or be short-circuited by conductive materials.** When battery pack is not in use, keep it away from other metal objects, like paper clips, coins, keys, nails, screws or other small metal objects, that can make a connection from one terminal to another. Shorting the battery terminals together may cause burns or a fire.
- c) **Do not expose battery pack to heat or fire. Avoid storage in direct sunlight.**
- d) **Do not subject battery pack to mechanical shock.**
- e) **In the event of battery leaking, do not allow the liquid to come into contact with the skin or eyes. If contact has been made, wash the affected area with copious amounts of water and seek medical advice.**
- f) **Keep battery pack clean and dry.**
- g) **Wipe the battery pack terminals with a clean dry cloth if they become dirty.**
- h) **Battery pack needs to be charged before use. Always refer to this instruction and use the correct charging procedure.**
- i) **Do not maintain battery pack on charge when not in use.**
- j) **After extended periods of storage, it may be necessary to charge and discharge the battery pack several times to obtain maximum performance.**
- k) **Recharge only with the charger specified by Worx. Do not use any charger other than that specifically provided for use with the equipment.**
- l) **Do not use any battery pack which is not designed for use with the equipment.**
- m) **Keep battery pack out of the reach of**

children.

- n) **Retain the original product literature for future reference.**
- o) **Remove the battery from the equipment when not in use.**
- p) **Dispose of properly.**
- q) **Do not mix cells of different manufacture, capacity, size or type within a device.**
- r) **Keep the battery away from microwaves and high pressure.**

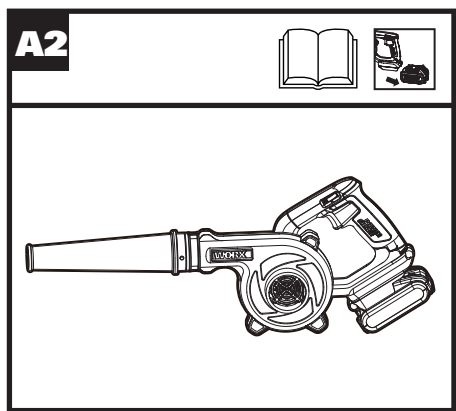
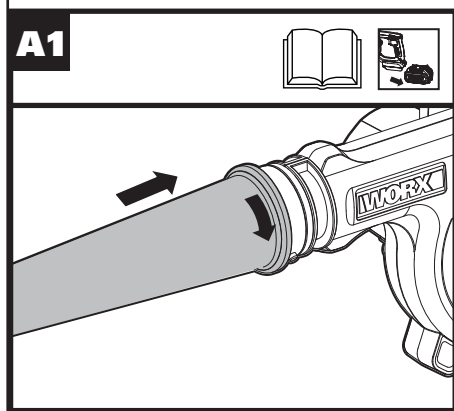
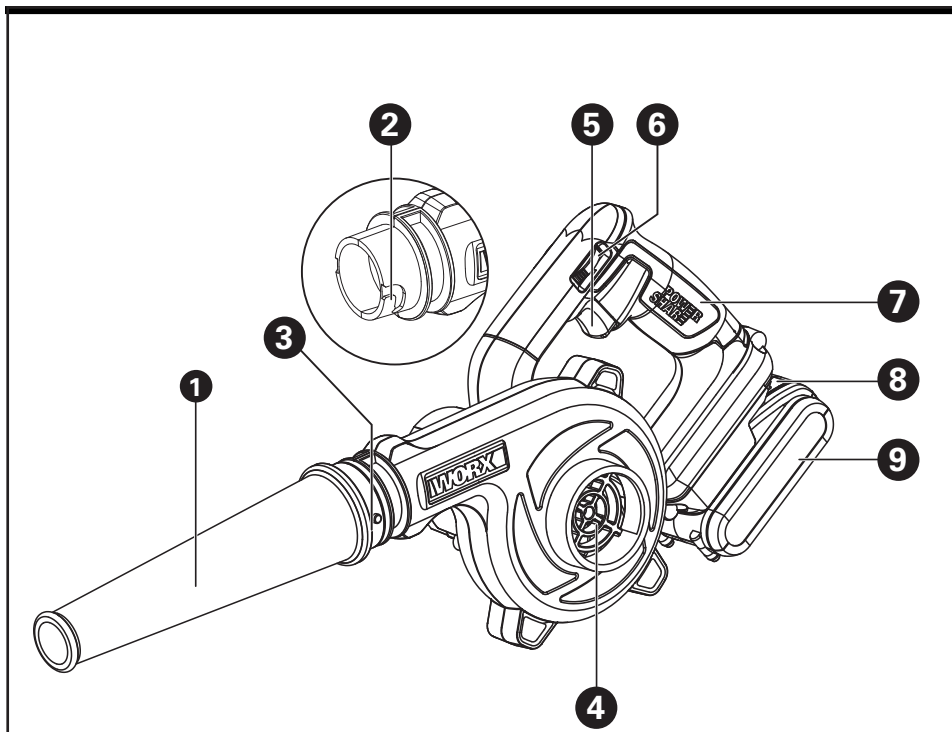
SYMBOLS

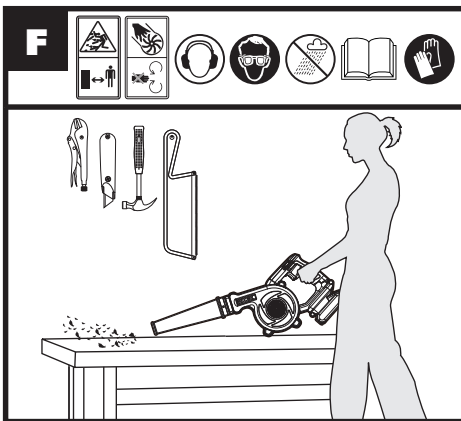
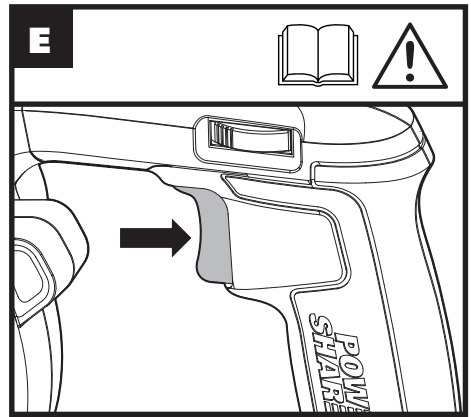
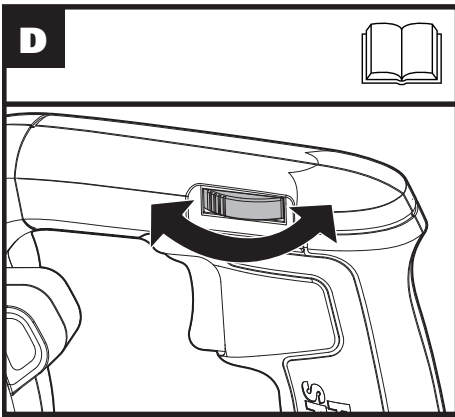
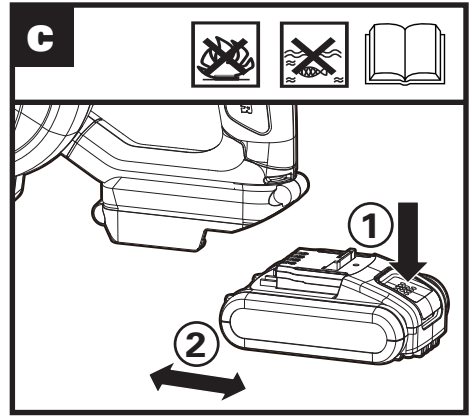
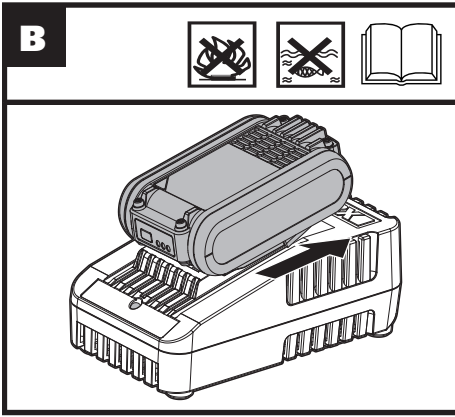
	Read the operator's manual
	Wear eye protection
	Wear ear protection
	Do not expose to rain
	Warning of hazard
	Keep bystanders away
	Batteries may enter water cycle if disposed improperly, which can be hazardous for ecosystem. Do not dispose of waste batteries as unsorted municipal waste.

	Do not burn
 Li-Ion  Li-Ion	<p>Li-Ion battery This product has been marked with a symbol relating to 'separate collection' for all battery packs and battery pack. It will then be recycled or dismantled in order to reduce the impact on the environment. Battery packs can be hazardous for the environment and for human health since they contain hazardous substances.</p>
	Make sure the battery is removed prior to changing accessories.
	Wear protective gloves.
	RCM marking

6

ABN: Australian Business Number. By this number, business information such as entity type, status, business location etc. can be found at website <http://abr.business.gov.au>.
 ABN of Positec Australia Pty Limited is 14 101 682 357






COMPONENT LIST

1. BLOWER TUBE
2. INTERFACE
3. BLOWER TUBE CONNECTOR
4. AIR INLET
5. ON/OFF SWITCH
6. VARIABLE SPEED DIAL
7. HANDLE
8. BATTERY PACK RELEASE BUTTON *
9. BATTERY PACK *

* Not all the accessories illustrated or described are included in standard delivery.

TECHNICAL DATA

Type **WX094 WX094.X (09 - designation of machinery, representative of Cordless Blower**

	WX094 WX094.X**
Voltage	20V  Max***
No load speed	I: 11000/min II: 15000/min III: 18000/min
Air volume	I: 1.6 m ³ /min II: 2.2 m ³ /min III: 2.8 m ³ /min
Blow speed	257km/h
Machine weight (bare tool)	1.3kg

**X=1-999, A-Z, M1-M9 there are only used for different customers, there are no safe relevant changes between these models.

*** Voltage measured without workload. Initial battery voltage reaches maximum of 20 volts. Nominal voltage is 18 volts.

Category	Type	Capacity
20V Battery	WA3551	2.0 Ah
	WA3551.1	2.0 Ah
	WA3553	4.0 Ah
	WA3556	5.0 Ah
	WA3641	6.0 Ah
20V Charger	WA3880	2.0 A

We recommend that you purchase your accessories from the same store that sold you the tool. Refer to the accessory packaging for further details. Store personnel can assist you and offer advice.

OPERATION



Read the operator's manual


INTENDED USE


The blower is intended for residential use only. Use the blower outdoors to move yard debris as needed.

NOTE:

- Remove the battery pack before carrying out any adjustment, servicing or maintenance.
- Make sure that ON/OFF Switch is on "0" position before assembling or removing any accessories.

ASSEMBLY AND OPERATION

ACTION	FIGURE
ASSEMBLY	
Assembling the blower tube	See Fig A1, A2
BEFORE OPERATION	
Charging the battery pack Your battery pack is UNCHARGED, you must charge before use. More details can be found in charger's manual	See Fig. B
 WARNING! The charger and battery pack are specially designed to work together, so do not attempt to use any other devices. Never insert or allow metallic objects into your charger or battery pack connections because of an electrical failure and hazard will occur.	

Installing & removing the battery pack	See Fig. C
OPERATION	
Using the variable speed dial(1,2,3)	See Fig. D
Starting & Stopping  WARNING! The tool runs for a few seconds after it has been switched off. Let the motor come to a complete standstill before setting the tool down.	See Fig. E
Using the blower	See Fig. F

CLEANING THE TOOL

Clean the tool regularly.



WARNING!

- **Keep your product dry. Under no circumstances spray with water.**
- **To clean the tool, use only mild soap and a damp cloth.**
- **Do not use any type of detergent, cleaner or solvent which may contain chemicals that could seriously damage the plastic.**
- **Self lubricating bearings are used in your product, therefore lubrication is not required.**

FOR BATTERY TOOLS

The ambient temperature range for the use and storage of tool and battery is 0°C-45°C.

The recommended ambient temperature range for the charging system during charging is 0°C-40°C.

Positec Australia Pty Limited
10 Corporate Blvd Bayswater, VIC 3153, Australia





www.worx.com

Copyright © 2021, Positec. All Rights Reserved.
AR01609600