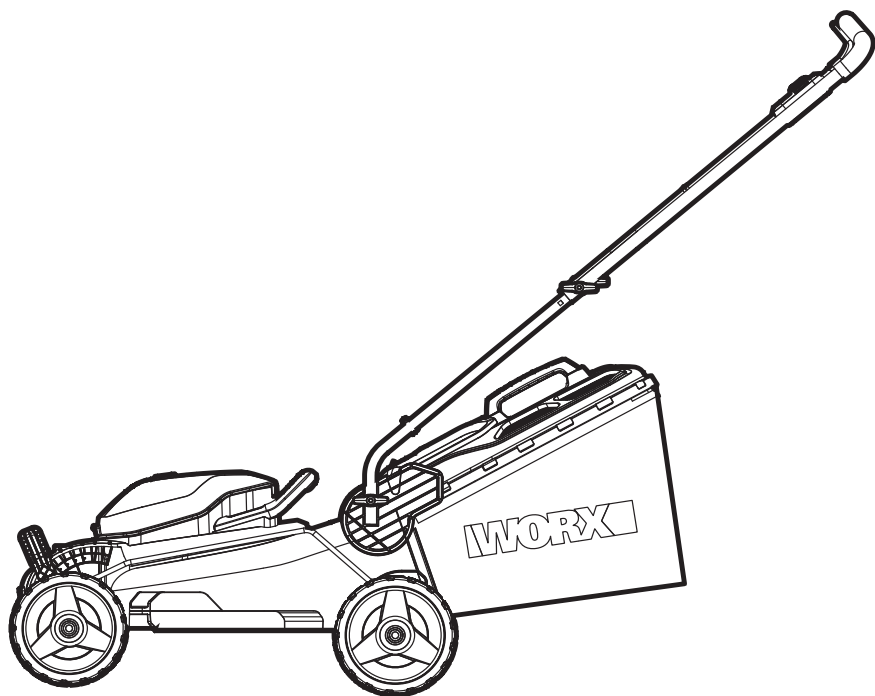


WORX

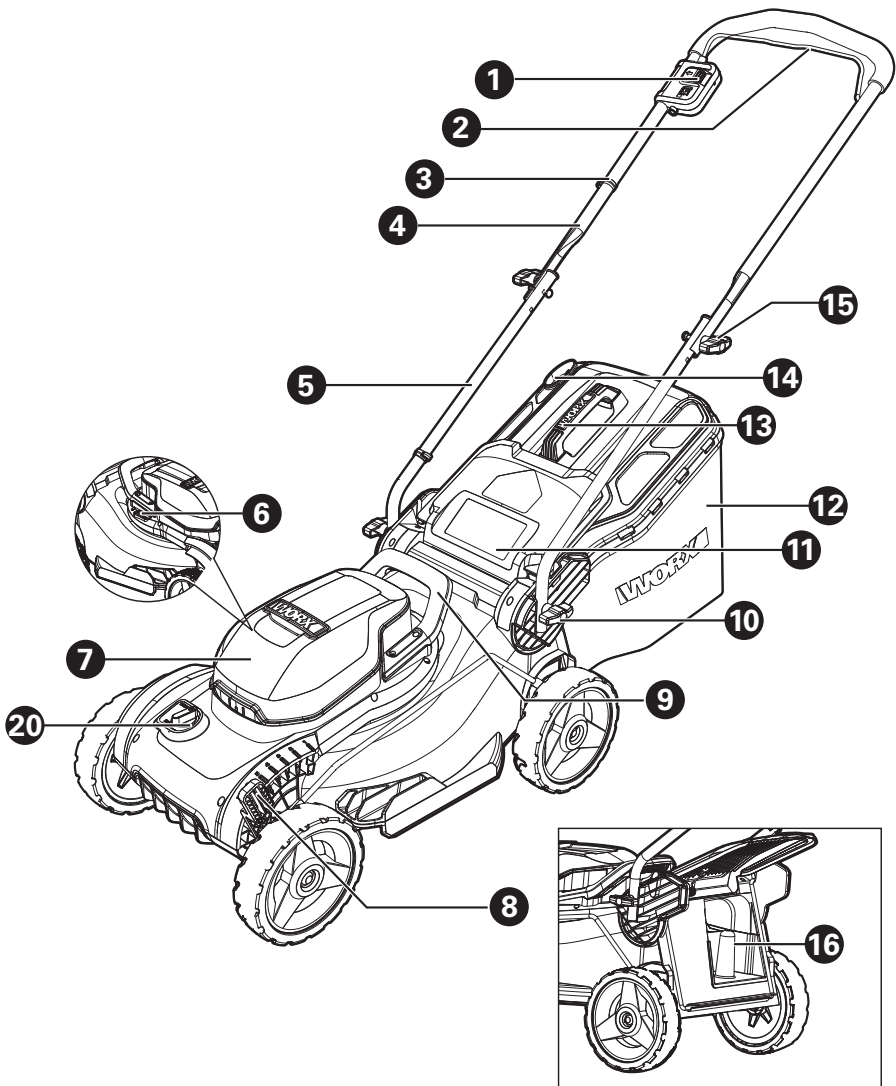


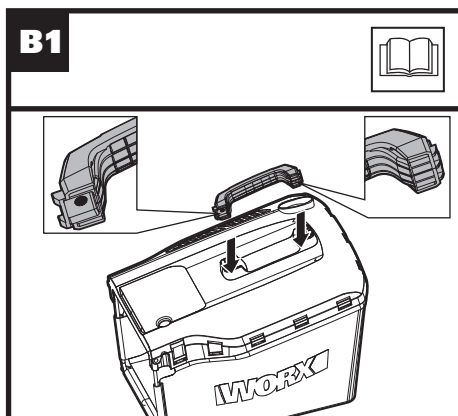
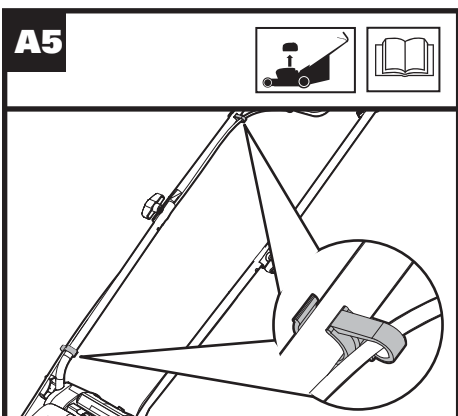
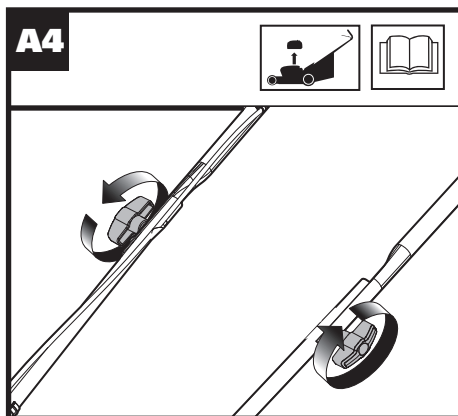
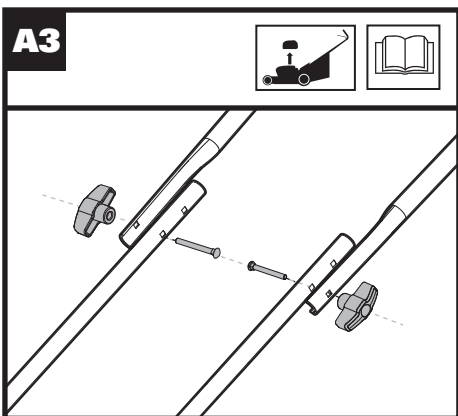
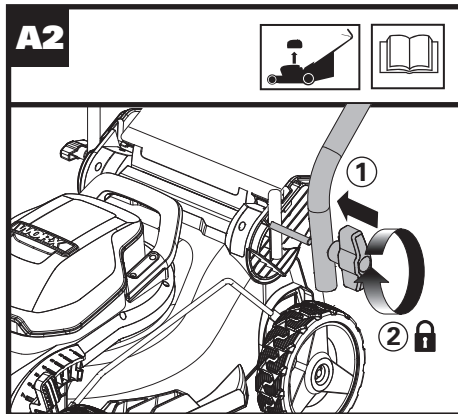
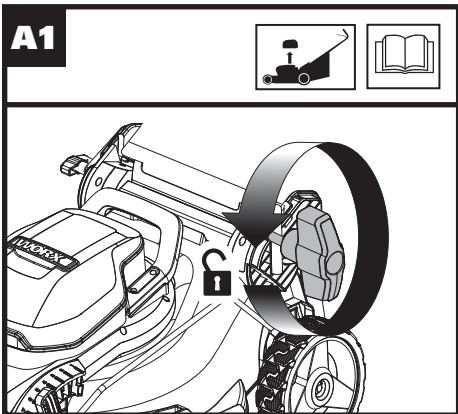
SAFETY AND OPERATING MANUAL

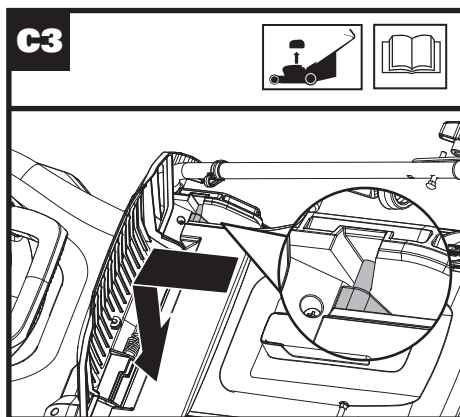
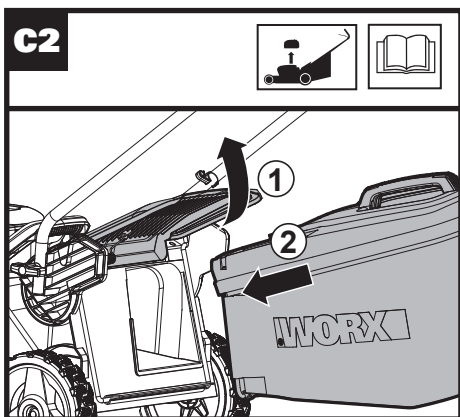
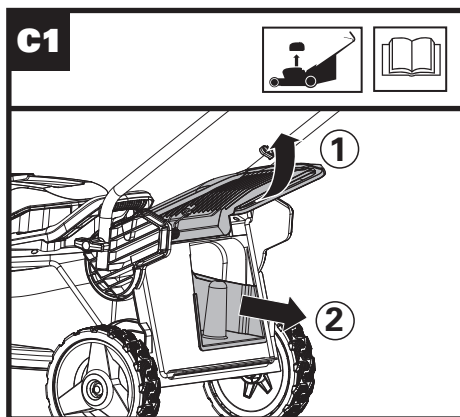
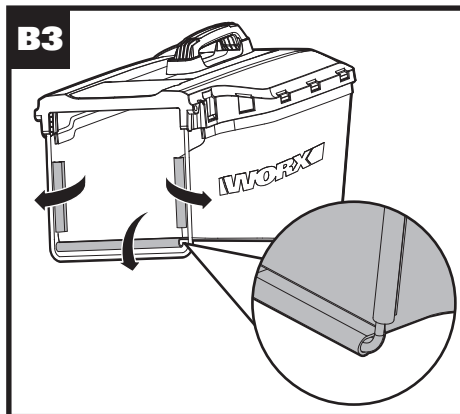
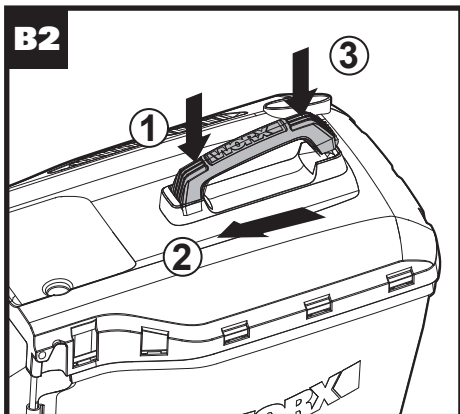
ORIGINAL INSTRUCTIONS

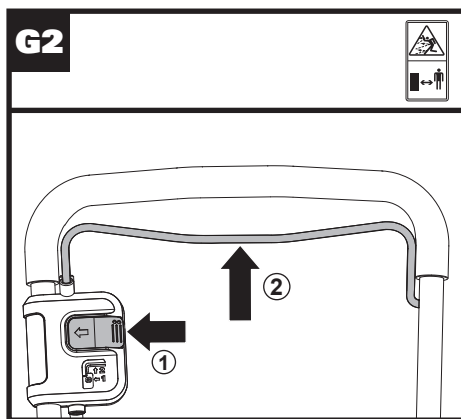
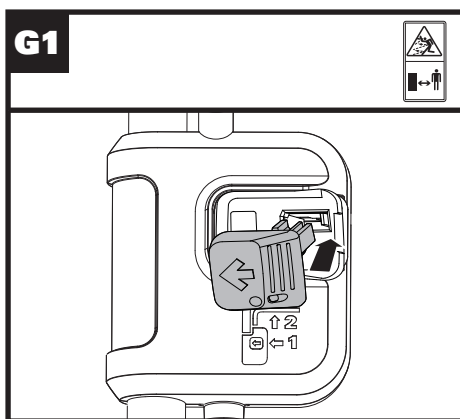
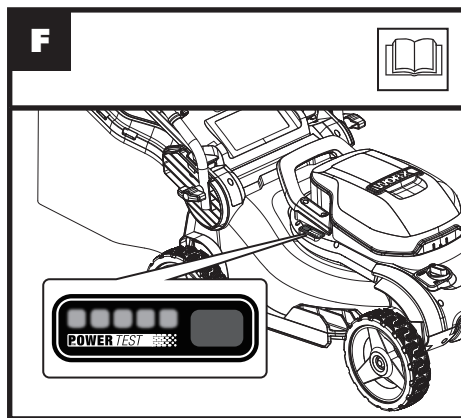
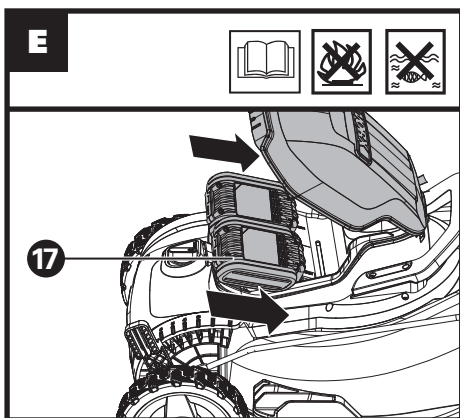
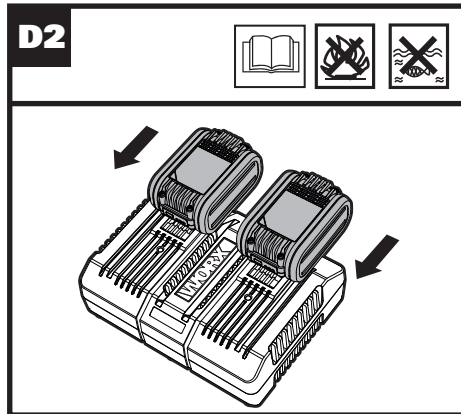
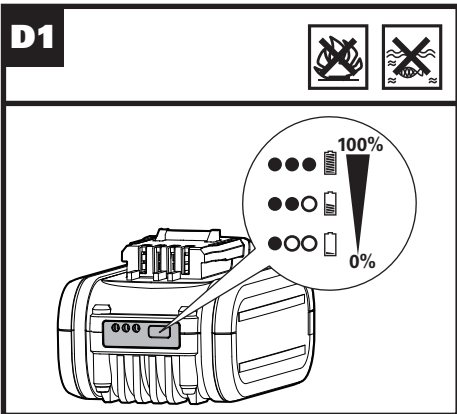
WG743E.1 WG743E.9

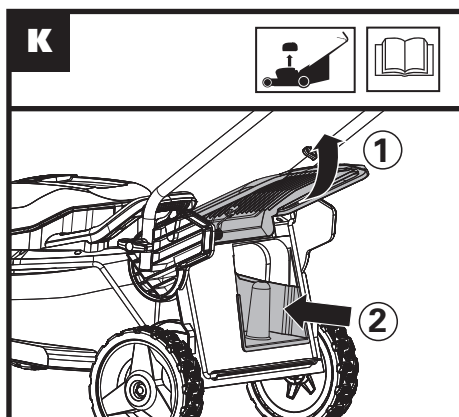
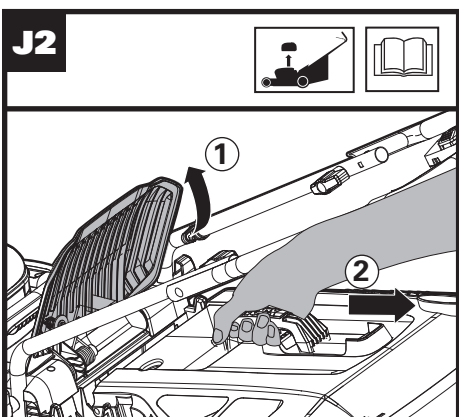
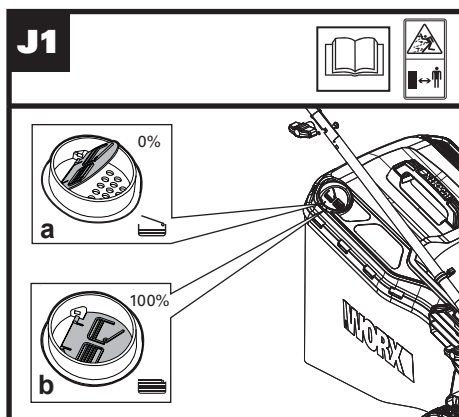
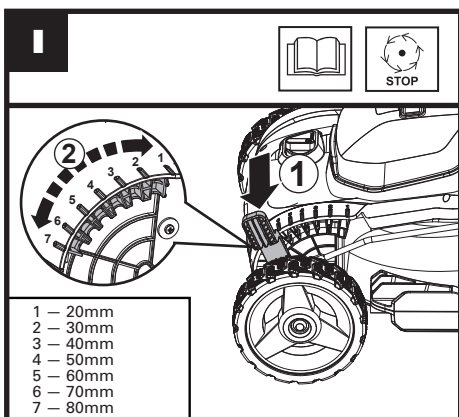
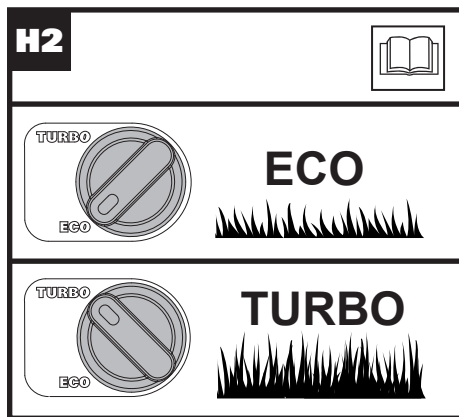
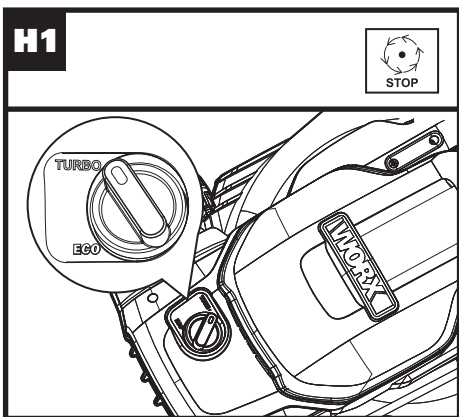


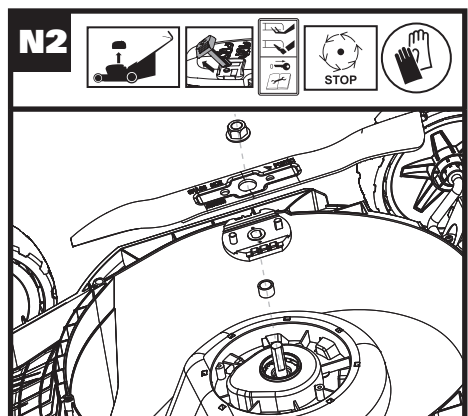
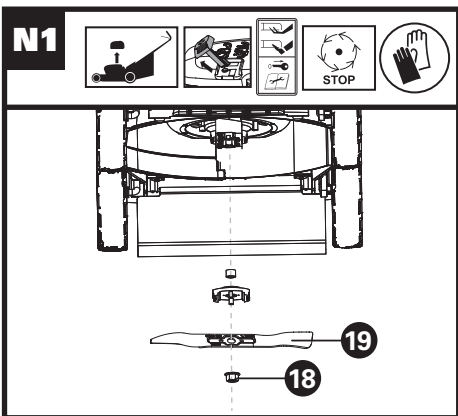
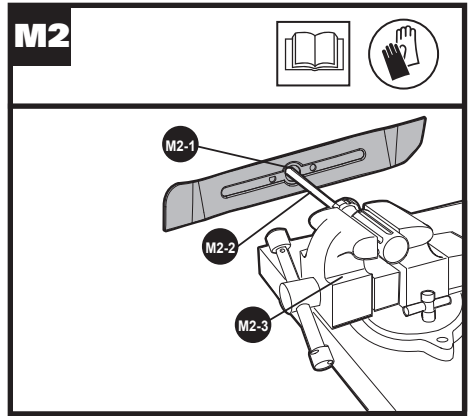
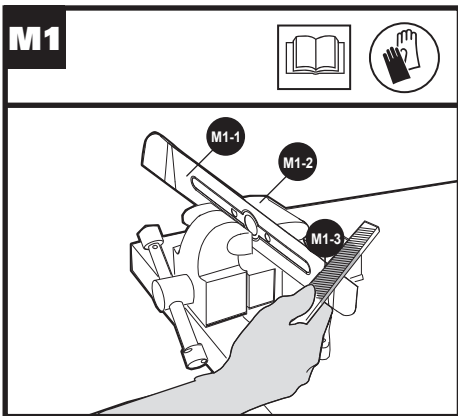
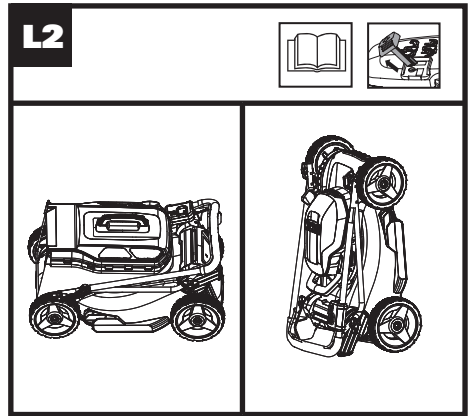
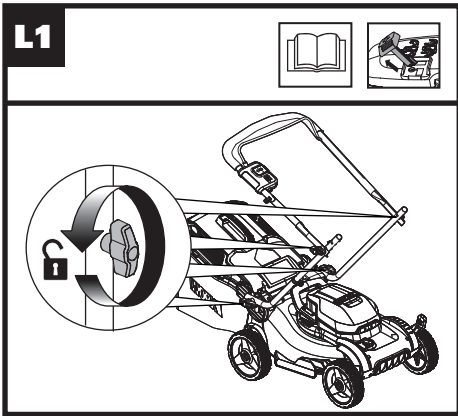













PRODUCT SAFETY GENERAL SAFETY WARNINGS

 **WARNING** Read all safety warnings and all instructions. *Failure to follow the warnings and instructions may result in electric shock, fire and/or serious injury.*

Carefully read the instructions for the safe operation of the machine. Save all warnings and instructions for future reference.

- This appliance is not intended for use by persons (including children) with reduced physical, sensory or mental capabilities, or lack of experience and knowledge, unless they have been given supervision or instruction concerning use of the appliance by a person responsible for their safety.
- Children should be supervised to ensure that they do not play with the appliance.
- The appliance is only to be used with the power supply unit provided with the appliance.

IMPORTANT READ CAREFULLY BEFORE USE KEEP FOR FUTURE REFERENCE

Safe operation practices Training

- a) read the instructions carefully. Be familiar with the controls and the proper use of the equipment;
- b) never allow children or people unfamiliar with these instructions to use the lawnmower. Local regulations can restrict the age of the operator;
- c) never mow while people, especially children, or pets are nearby;
- d) keep in mind that the operator or user is responsible for accidents or hazards occurring to other people or their property.

Preparation

- a) While mowing, always wear substantial footwear and long trousers. Do not operate the equipment when barefoot or wearing open sandals;
- b) thoroughly inspect the area where the equipment is to be used and remove all objects which can be thrown by the machine;
- c) Before using, always visually inspect to see that the blades, blade bolts

and cutter assembly are not worn or damaged. Replace worn or damaged blades and bolts in sets to preserve balance. Replace damaged and unreadable labels.

Operation

- a) mow only in daylight or in good artificial light;
- b) avoid operating the equipment in wet grass, where feasible;
- c) always be sure of your footing on slopes;
- d) walk, never run;
- e) for wheeled rotary machines, mow across the face of slopes, never up and down; mow across the face of slopes, never up and down.
- f) exercise extreme caution when changing direction on slopes;
- g) do not mow excessively steep slopes;
- h) use extreme caution when reversing or pulling the lawnmower towards you;
- i) stop the blade(s) if the lawnmower has to be tilted for transportation when crossing surfaces other than grass, and when transporting the lawnmower to and from the area to be mowed;
- j) never operate the lawnmower with defective guards, or without safety devices, for example deflectors and/or grass catchers, in place;
- k) switch on the motor carefully according to instructions and with feet well away from the blade(s);
- l) do not tilt the lawnmower when switching on the motor, except if the lawnmower has to be tilted for starting. In this case, do not tilt it more than absolutely necessary and lift only the part which is away from the operator;
- m) do not put hands or feet near or under rotating parts. Keep clear of the discharge opening at all times;
- n) not to touch the blades before the disabling device has been removed and the blades have come to a complete stop;
- o) Do not start the lawnmower when standing in front of the discharge opening.
- p) Do not transport the lawnmower while the power source is running.
- q) Stop the lawnmower, and remove the disabling device. Make sure that all moving parts have come to a complete stop.
 - whenever leaving the machine unattended,
 - before clearing a blockage,
 - before checking, cleaning or working on the machine,
 - after striking a foreign

object. Inspect the machine for damage and make repairs before restarting and operating the lawnmower. If the lawnmower starts to vibrate abnormally (check immediately)

- inspect for damage.
- replace or repair any damaged parts.
- check and tighten any loose parts.

Maintenance and storage

- a) keep all nuts, bolts and screws tight to be sure the equipment is in safe working condition;
- b) check the grass catcher frequently for wear or deterioration;
- c) replace worn or damaged parts for safety. Use only genuine replacement parts and accessories.
- d) Be careful during adjusting of the lawnmower to prevent entrapment of the fingers between moving blades and fixed parts of the lawnmower.
- e) Always allow the lawnmower to cool down before storing.
- f) When servicing the blades be aware that, even though the power source is switched off, the blades can still be moved.

SAFETY WARNINGS FOR BATTERY PACK

- a) Do not dismantle, open or shred cells or battery pack.**
- b) Do not short-circuit a battery pack. Do not store battery packs haphazardly in a box or drawer where they may short-circuit each other or be short-circuited by conductive materials.**
When battery pack is not in use, keep it away from other metal objects, like paper clips, coins, keys, nails, screws or other small metal objects, that can make a connection from one terminal to another. Shorting the battery terminals together may cause burns or a fire.
- c) Do not expose battery pack to heat or fire. Avoid storage in direct sunlight.**
- d) Do not subject battery pack to mechanical shock.**
- e) In the event of battery leaking, do not allow the liquid to come into contact with the skin or eyes. If contact has been made, wash the affected area with copious amounts of water and seek medical advice.**
- f) Seek medical advice**

immediately if a cell or battery pack has been swallowed.





- g) Keep battery pack clean and dry.**
- h) Wipe the battery pack terminals with a clean dry cloth if they become dirty.**
- i) Battery pack needs to be charged before use. Always refer to this instruction and use the correct charging procedure.**
- j) Do not maintain battery pack on charge when not in use.**
- k) After extended periods of storage, it may be necessary to charge and discharge the battery pack several times to obtain maximum performance.**
- l) Battery pack gives its best performance when it is operated at normal room temperature (20 °C ± 5 °C).**
- m) When disposing of battery packs, keep battery packs of different electrochemical systems separate from each other.**
- n) Recharge only with the charger specified by WORX. Do not use any charger other than that specifically provided for use with the equipment.**

A charger that is suitable for one type of battery pack may create a risk of fire when used with another battery pack.

- o) Do not use any battery pack which is not designed for use with the equipment.**
- p) Keep battery pack out of the reach of children.**
- q) Retain the original product literature for future reference.**
- r) Remove the battery from the equipment when not in use.**
- s) Dispose of properly.**
- t) Do not mix cells of different manufacture, capacity, size or type within a device.**
- u) Do not remove battery pack from its original packaging until required for use.**
- v) Observe the plus (+) and minus (-) marks on the battery and ensure correct use.**

SYMBOLS

	<p>Read instruction handbook before operation this machine</p>
	<p>Keep bystanders away.</p>
	<p>Beware of sharp blades. Blades continue to rotate after the motor is switched off- Remove disabling device before maintenance</p>
	<p>Waste electrical products must not be disposed of with household waste. Please recycle where facilities exist. Check with your local authorities or retailer for recycling advice.</p>
 <p>Li-Ion</p> 	<p>Li-Ion battery This product has been marked with a symbol relating to 'separate collection' for all battery packs and battery pack. It will then be recycled or dismantled in order to reduce the impact on the environment. Battery packs can be hazardous for the environment and for human health since they contain hazardous substances.</p>
	<p>Do not burn</p>
	<p>Batteries may enter water cycle if disposed improperly, which can be hazardous for ecosystem. Do not dispose of waste batteries as unsorted municipal waste.</p>


	<p>Wear protective gloves.</p>
	<p>Remove battery from the socket before carrying out any adjustment, servicing or maintenance.</p>
	<p>Blade continues to rotate after the machine is switched off. Wait until all machine components have completely stopped before touching them</p>
	<p>Remove the key</p>



1. SAFETY KEY
2. BAIL HANDLE
3. CABLE CLIP
4. UPPER HANDLE
5. LOWER HANDLE
6. BATTERY POWER INDICATOR
7. BATTERY PACK COVER
8. CUTTING HEIGHT ADJUSTMENT KNOB
9. CARRY HANDLE
10. HANDLE KNOB, LOWER
11. SAFETY FLAP
12. GRASS COLLECTION BAG
13. BAG HANDLE
14. GRASS BAG INDICATOR
15. HANDLE KNOB, UPPER
16. MULCHING INSERT
17. BATTERY PACK (SEE FIG. E) *
18. BLADE BOLT (SEE FIG. N1)
19. BLADE (SEE FIG. N1)
20. INTELLICUT DIAL

*Not all the accessories illustrated or described are included in standard delivery.

TECHNICAL DATA

Type **WG743E.1, WG743E.9 (740-789 - designation of machinery, representative of Cordless Lawn Mower)**

	WG743E.1	WG743E.9
Voltage	40V  Max.(2x20V Max.)**	
No load speed	2800 / 3000 /min	
Deck diameter	43cm	
Cutting diameter	40cm	
Front wheel diameter	180mm	
Rear wheel diameter	190mm	
Cutting height	20mm-80mm	

Cutting height positions	7	
Grass collection capacity	45L	
Battery type	Lithium-ion	/
Battery Model	WA3553 (4.0Ah)	/
Charger Model	WA3883	/
Charger rating	Input: 100-240V~50/60Hz Output 1: 20 V  , 2.0 A*** Output 2: 20 V  , 2.0 A***	
Charging time (approx.) Battery pack: 2.0 Ah (1pc) 2.0 Ah (2pcs) 4.0 Ah (1pc) 4.0 Ah (2pcs)	0.5 hr 1 hr 1 hr 2 hrs	
Machine Weight	15.4kg	13.9kg

**Voltage measured without workload. Initial battery voltage reaches maximum of 20 volts. Nominal voltage is 18 volts.

***Charger output 1 and output 2 mean two ports with the same output voltage and current.


ACCESSORIES

	WG743E.1	WG743E.9
Battery pack (WA3553)	2	/
Charger (WA3883)	1	/
Strip roller	1	/
Grass collection bag	1	
Mulching insert	1	
Cable clip	2	
Handle knob	4	

We recommend that you purchase your accessories from the same store that sold you the tool. Choose the type according to the work you intend to undertake. Refer to the accessory packaging for further details. Store personnel can assist you and offer advice.

WG743E.1 WG743E.9

NOISE DATA

A weighted sound pressure	$L_{WA} = 75\text{dB(A)}$
K_{pA}	3 dB (A)
A weighted sound power	$L_{WA} = 89.3\text{ dB(A)}$
K_{WA}	3 dB (A)
Wear ear protection	

VIBRATION INFORMATION

Typical weighted vibration	$a_h < 2.5\text{ m/s}^2$
Uncertainty	$K = 1.5\text{ m/s}^2$

WARNING: The vibration emission value during actual use of the power tool can differ from the declared value depending on the ways in which the tool is used dependant on the following examples and other variations on how the tool is used:
 How the tool is used and the materials being cut or drilled.
 The tool being in good condition and well maintained. Using the correct accessory for the tool and ensuring it is sharp and in good condition.
 The tightness of the grip on the handles and if any anti vibration accessories are used.
 And the tool is being used as intended by its design and these instructions.

This tool may cause hand-arm vibration syndrome if its use is not adequately managed

WARNING: To be accurate, an estimation of exposure level in the actual conditions of use should also take account of all parts of the operating cycle such as the times when the tool is switched off and when it is running idle but not actually doing the job. This may significantly reduce the exposure level over the total working period.

Helping to minimise your vibration exposure risk. ALWAYS use sharp chisels, drills and blades. Maintain this tool in accordance with these instructions and keep well lubricated (where appropriate). If the tool is to be used regularly then invest in anti vibration accessories.
 Plan your work schedule to spread any high vibration tool use across a number of days.

OPERATION INSTRUCTION



NOTE: To reduce the risk of injury, user must read instruction manual

Intended Use

This product is intended for domestic lawn mowing.

ASSEMBLY AND OPERATION

ACTION	FIGURE
ASSEMBLY	
Assembling the handle bar NOTE: Choose one of the two holes in the lower handle for desired handle's height.	See Fig. A1, A2, A3, A4, A5
Assembling grass collection bag	See Fig. B1, B2, B3, B4
Fitting grass collection bag to the lawn mower NOTE: Depress the grass collection bag slightly to ensure that it is completely installed. NOTE: Take the mulching insert out of the lawn mower before fitting the grass collection bag.	See Fig. C1, C2, C3
Checking the battery charge condition NOTE: Fig. D1 only applies for the battery pack with battery indicator light.	See Fig. D1
Charging the battery pack NOTE: The batteries are shipped uncharged. Each battery must be fully charged before the first mow. Always fully charge the two batteries at same time. More details can be found in charger's manual.	See Fig. D2

Fitting/removing battery

NOTE:

- This machine will only run when 2 batteries are installed. It is recommended to use the same two batteries and charge the two batteries at the same time.
- Using two different sized batteries or if one battery isn't fully charged then the machine will only run to the lowest common denominator.

See Fig. E

OPERATION

Battery power indicator on the machine
See details in BATTERY STATUS part

IMPORTANT

When only one light is illuminated, at least one battery is depleted and needs to be charged, even though the mower may still be capable of cutting grass. Continuing to operate your lawnmower with the battery in this discharged condition may reduce the life and performance of your battery.

When no light is illuminated, at least one battery is not fully installed or battery may be defective, please double check the batteries are fully seated into position.

See Fig. F

Starting & stopping

See Fig. G1, G2

Selecting the INTELLICUT DIAL ECO MODE
Set the Intellicut Dial to ECO mode when mowing in everyday conditions, removing approximately 25mm of grass at a time.

TURBO MODE
Set the Intellicut Dial to POWER mode when cutting dense or overgrown grass.

See Fig. H1,H2

Adjusting the Cutting Height

See Fig. I

Grass bag filling indicator
Empty status: flap floats (a)



See Fig. J1

Fully status: flap falls down (b)



Removing/emptying grass collection bag

WARNING! Always check the safety flap close the discharge outlet before using. Never lift the safety flap when the lawn mower is being used without fitted grass collection bag.

See Fig. J2

Installing the mulching insert

See Fig. K

Storage
WARNING: Always remove the battery and safety key when inverted storage.


See Fig. L1, L2

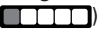
BATTERY STATUS (See Fig. F)

Before starting or after use, press the button beside the power indicator light on the machine to check the battery capacity. During operation, the battery capacity will be indicated automatically by the battery power indicator.

The indicator constantly senses and displays the battery condition as follows.

For the machine with 2 battery packs with different power, the power indicator light displays the battery condition with the lower one of the two batteries.

Battery power indicator status	Battery condition
Five green lights  are illuminated.	The two batteries are in a highly charged condition.

Two, three or four green lights are illuminated.	The two batteries have a remaining charge. The more lights are illuminated, the more battery capacity.
Only one green light () is illuminated.	At least one battery is almost depleted and needs to be charged.
No light is illuminated.	At least one battery is not fully installed or battery may be defective.
Only one light is flashing twice per cycle.	At least one battery is over discharged (please refer to the battery charge condition), please recharge the two batteries at once before use again or storage.
Only one light is flashing three times per cycle.	At least one battery is hot, wait for them cool down before start again.
Only one light is flashing four times per cycle.	The machine is over load. Raise the cutting height or push slowly.

MOWING TIPS

NOTE: ALWAYS INSPECT AREA WHERE MOWER IS TO BE USED AND REMOVE ALL STONES, STICKS, WIRE, METAL AND OTHER DEBRIS WHICH MIGHT BE THROWN BY THE ROTATING BLADE.

1. Mow across the face of slopes, never up-and-down. Exercise extreme caution when changing direction on slopes. Do not mow excessively steep slopes. Always maintain good footing.
2. Release bail handle to turn mower "OFF" when crossing any graveled area (stones can be thrown by the blade).
3. Set mower at highest cutting height when mowing in rough ground or in tall weeds. Removing too much grass at one time can cause circuit breaker to trip, which stops mower.
4. If a grass bag is used during the fast growing season, the grass may tend to

clog up at the discharge opening. Release bail handle to turn mower "OFF" and remove the safety key. Remove the grass bag and shake the grass down to the back end of the bag. Also clean out any grass or debris which may be packed around the discharge opening. Replace the grass collection bag.

5. If mower should start to vibrate abnormally, release bail handle to turn mower "OFF" and remove safety key. Check immediately for cause. Vibration is a warning of trouble. Do not operate mower until a service check has been made.
6. **ALWAYS RELEASE BAIL HANDLE TO TURN MOWER "OFF" AND REMOVE SAFETY KEY WHEN LEAVING IT UNATTENDED EVEN FOR A SHORT PERIOD OF TIME.**

CUTTING AREA

The cutting area can be affected by several factors, such as cutting height, lawn humidity, grass length and density. Besides, starting and stopping the mower too many times during operation will reduce the cutting area. The below table provides the potential cutting areas based on specific cutting conditions.

Cutting Height	Recommend lot size (maximum)
Cutting off 8cm to 6cm	With 2*20V / 4.0Ah batteries
	up to 500m ² *

* Used with two fully charged battery packs.

TIPS:

- 1) It is recommended to mow your lawn more frequently, walk at normal pace, and not to start/stop the mower too often during operation. Please always use the same two batteries and charge the two batteries at same time.
- 2) For best performance, please ensure use a fully charged battery pack and always

- cut off 1/3 or less of the grass height.
- 3) Walk slowly when cutting long grass, so as to have more effective cutting and properly discharge the clippings.
 - 4) Avoid cutting wet grass, otherwise it will stick to the underside of the deck and the clippings cannot be collected or discharged properly.
 - 5) A higher cutting height shall be applied to new or thick grass and it will extend the battery duration.

MAINTENANCE



WARNING: Stop the mower and remove the safety key before removing the grass bag.

NOTE: To ensure long and reliable service, perform the following maintenance procedures regularly. Check for obvious defects such as a loose, dislodged or a damaged blade, loose fittings, and worn or damaged components. Check that the covers and guards are all undamaged and are correctly attached to mower. Carry out any necessary maintenance or repairs before operating mower. If the mower should happen to fail despite regular maintenance, please call our customer helpline for advice.

BLADE SHARPENING

KEEP BLADE SHARP FOR BEST MOWER PERFORMANCE.

WEAR PROPER EYE PROTECTION WHILE REMOVING, SHARPENING, AND INSTALLING BLADE. ENSURE THAT SAFETY KEY IS REMOVED.

Sharpening the blade twice during a mowing season is usually sufficient under normal circumstances. Sand causes the blade to dull quickly. If your lawn has sandy soil, more frequent sharpening may be required. REPLACE BENT OR DAMAGED BLADE IMMEDIATELY.

WHEN SHARPENING THE BLADE:

1. Make sure blade remains balanced.
2. Sharpen blade at the original cutting angle.
3. Sharpen cutting edges on both ends of blade, removing equal amounts of material

from both ends.

NOTE:

1. Be sure the mower is turned off and remove the key.
2. Place the mower in stand up storage mode.

TO SHARPEN BLADE IN A VISE (SEE Fig. M1)

1. Be sure the bail handle is released, the blade has stopped and the safety key removed before removing the blade.
2. Remove blade from mower. See instructions for removing and attaching blade.
3. Secure blade M1-1 in a vise M1-2.
4. Wear safety glasses and be careful not to cut yourself.
5. Carefully file the cutting edges of the blade with a fine tooth file M1-3 or sharpening stone.
6. Check balance of blade. See instructions for blade balancing.
7. Replace blade on mower and tighten securely. Refer to instructions below.

BLADE BALANCING (SEE Fig.M2)

Check balance of blade by placing center hole in blade M2-1 over a nail or screwdriver shank M2-2, clamped horizontally in a vise M2-3. If either end of the blade rotates downward, file that end. Blade is properly balanced when neither end drops.

BLADE MAINTENANCE (SEE FIG. N1, N2)

Renew your metal blade after 50 hours mowing or 2 years, whichever ever is the sooner regardless of condition.

Follow these procedures to remove and replace the blade. You will need garden gloves (not provided) and a spanner wrench (not provided) to remove the blade. Hold the blade (19) and unscrew the blade bolt (18) counter-clockwise using a spanner wrench, and then remove blade.


To re-assemble, position the blade (19) with the cutting edges towards the ground. Then securely tighten the blade bolt (18).

STORAGE (SEE Fig. L1, L2)

Stop the mower and always remove the safety

key. Clean the exterior of the machine thoroughly using a soft brush and cloth. Do not use water, solvents or polishes. Remove all grass and debris, especially from the ventilation slots. Turn the machine on its side and clean the blade area. If grass cuttings are compacted in the blade area, remove with a wooden or plastic implement. Store the machine in a dry place. Do not place other objects on top of the machine. To aid storage, release the Lock Cam Lever, and fold the upper handle as shown in Fig. L1, L2.

ENVIRONMENTAL PROTECTION

 Waste electrical products must not be disposed of with household waste. Please recycle where facilities exist. Check with your local authorities or retailer for recycling advice.

TROUBLE SHOOTING

Problem	Solution
1. Mower doesn't run when bail handle is activated.	<p>A. Check to make sure safety key has been installed and is fully seated and that button on switch housing is being completely pushed.</p> <p>B. Release bail handle to turn mower off. Remove safety key, turn mower over and check that blade is free to turn. If not free, return to an authorized servicer. Blade should turn freely.</p> <p>C. Has battery been fully charged? Plug in charger and wait for green light to come on.</p>
2. Motor stops while mowing.	<p>A. Release bail handle to turn mower off. Remove safety key, turn mower over and check that blade is free to turn. If not free, return to an authorized servicer. Blade should turn freely.</p> <p>B. Raise cutting height of wheels to highest position and start mower.</p> <p>C. Has battery been fully charged? Plug in charger and wait for green light to come on.</p> <p>D. Avoid overloading the mower. Slow down the cutting pace by pushing mower slower or raise the cut height. Or both.</p>
3. Mower runs but cutting performance is unsatisfactory, or does not cut entire lawn.	<p>A. Has battery been fully charged? Plug in charger and wait for green light to come on.</p> <p>B. Release bail handle to turn mower off. Remove safety key. Turn mower over and check: Blade for sharpness - Keep blade sharp. Deck and discharge chute for clogging.</p> <p>C. Wheel height adjustment may be set too low for grass condition. Raise cutting height.</p>
4. Mower is too hard to push.	<p>A. Raise cutting height to reduce deck drag on grass. Check each wheel for free rotation.</p>

5. Mower is abnormally noisy and vibrates.	<p>A. Release bail handle to turn mower off. Remove safety key. Turn mower on side and check blade to ensure it has not been bent or damaged. If blade is damaged, replace with a replacement blade. If the underside of the deck is damaged return mower to an Authorized service center.</p> <p>B. If there is no visible damage to the blade and the mower still vibrates: Release bail handle to turn mower off, remove safety key and remove blade. Rotate blade 180 degrees and retighten. If mower still vibrates, return the mower to an authorized service center.</p>
6. Battery charger LED's not on.	<p>A. Check plug connection.</p> <p>B. Replace charger.</p>
7. Battery charger LED does not flip to green.	A. Battery needs to be diagnosed. Take to authorized service center.
8. Mower not picking up clippings with the Grass Collection Bag.	<p>A. Remove mulch plate when bagging.</p> <p>B. Chute clogged. Release bail handle to turn mower off. Remove safety key. Clear chute of grass clippings.</p> <p>C. Too much cut grass. Raise cutting height of wheels to shorten length of the cut.</p> <p>D. Bag full. Empty bag more often.</p>
9. When mulching there are clippings visible.	<p>A. Too much cut grass. Raise cutting height of wheels to shorten length of the cut. Do not cut off more than 1/3 of total length.</p> <p>B. Check blade for sharpness. Always keep blade sharp.</p>
10. Low or diminished run-time after many uses.	A. Return to Authorized Service location - may need new battery.
11. The battery charger LED flashes red and the battery can't be charged.	A. The battery overheats after continuous use. Remove battery from the charger and allow it to cool to 42°C or less.

DECLARATION OF CONFORMITY

We,
Positec Power Tools (Europe) Ltd,
PO Box 6242, Newbury, RG14 9LT, UK

Declare that the product
Description **WORX Cordless Lawn Mower**
Type **WG743E.1, WG743E.9 (740-789 -
designation of machinery, representative of
Cordless Lawn Mower)**
Function **mowing grass**

Complies with the following Directives,
**2006/42/EC, 2014/30/EU, 2011/65/
EU&(EU)2015/863, 2000/14/EC amended by
2005/88/EC**

2000/14/EC amended by 2005/88/EC
Conformity assessment procedure as per **Annex
VI.**

Measured Sound Power Level **89.3 dB(A)**
Declared Guaranteed Sound Power Level **92 dB(A)**

The notified body involved
**Name: Intertek Testing & Certification Ltd
(notified body 0359)**
**Address: Davy Avenue, Knowlhill, Milton
Keynes, MK5 8NL**
Standards conform to,
**EN 60335-1, EN 60335-2-77, EN 62233, EN
ISO 3744, EN 55014-1, EN 55014-2**

The person authorized to compile the technical file,
Name: Jim Kirkwood
**Address: Positec Power Tools (Europe) Ltd,
PO Box 6242, Newbury, RG14 9LT, UK**



2020/01/06
Allen Ding
Deputy Chief Engineer, Testing & Certification
Positec Technology (China) Co., Ltd
18, Dongwang Road, Suzhou Industrial
Park, Jiangsu 215123, P. R. China

The logo features the word "WORX" in a bold, black, sans-serif font. The letters are set against a light gray rectangular background. A small registered trademark symbol (®) is positioned to the left of the "W".

it's your nature

After-sales Service and Application

At www.worx.com you can order spare parts or arrange the collection of a product in need of servicing or repair.

Tel. Service: 0345 202 9679

E-Mail: customerservices@worxtools.com

www.worx.com

Copyright © 2020, Positec. All Rights Reserved.
AR01494100